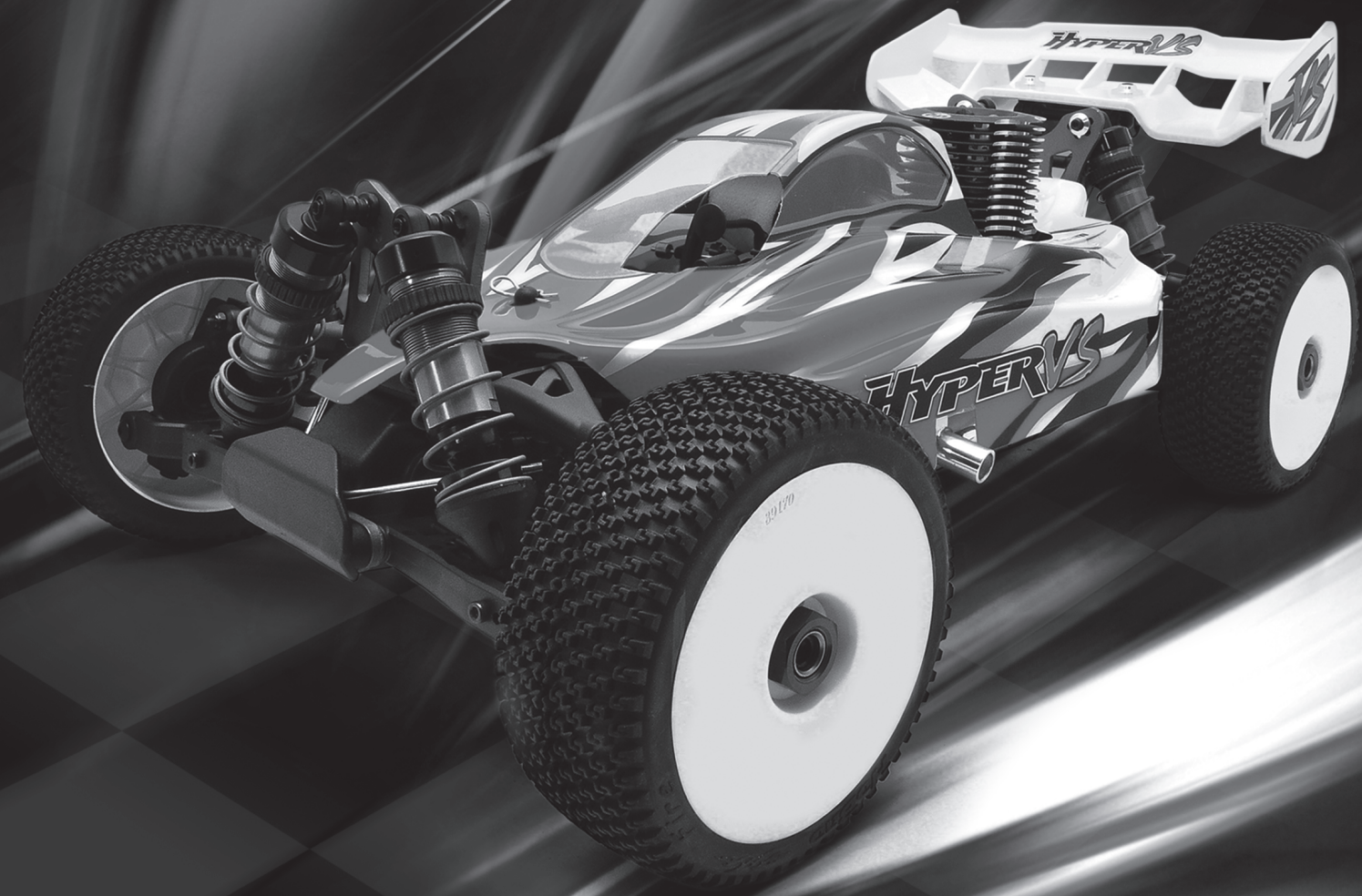


HYPERVS

HOBao

HOBao ENTERPRISING CO., LTD.
TEL:+886-2-2996-2229 FAX:+886-2-2996-8213
hobao@hobao.com.tw

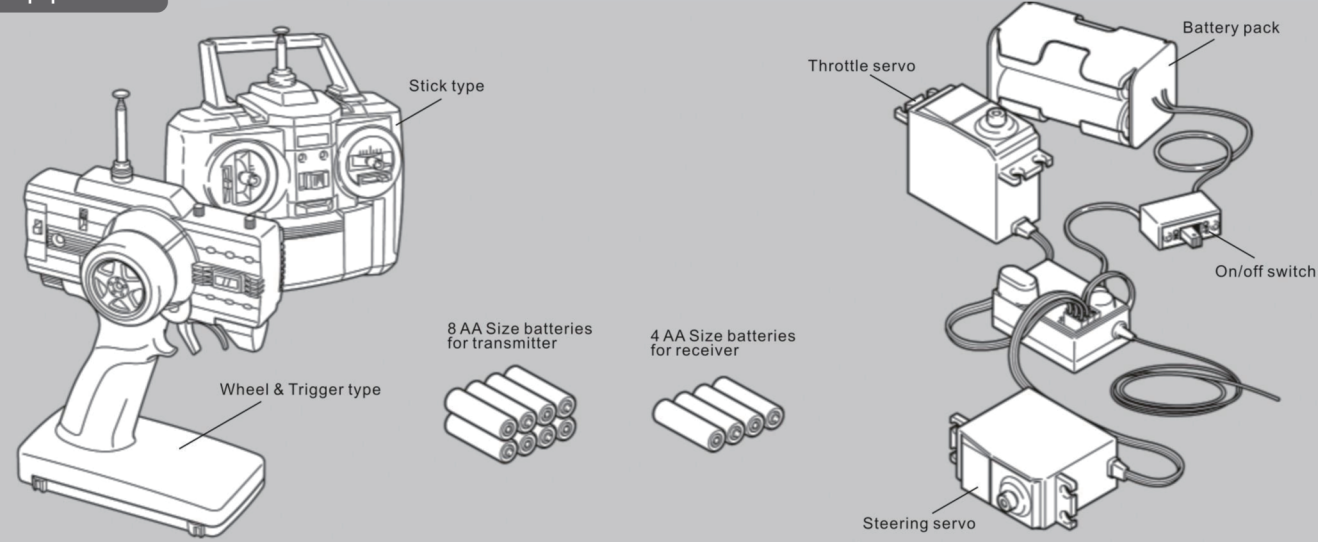
MADE IN TAIWAN



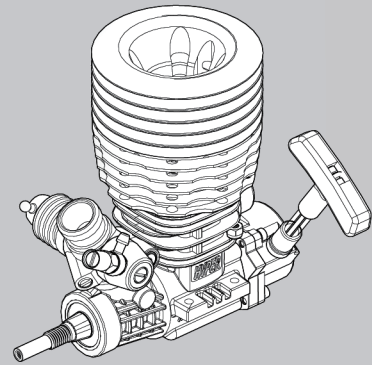
INSTRUCTION MANUAL

HYPERVS

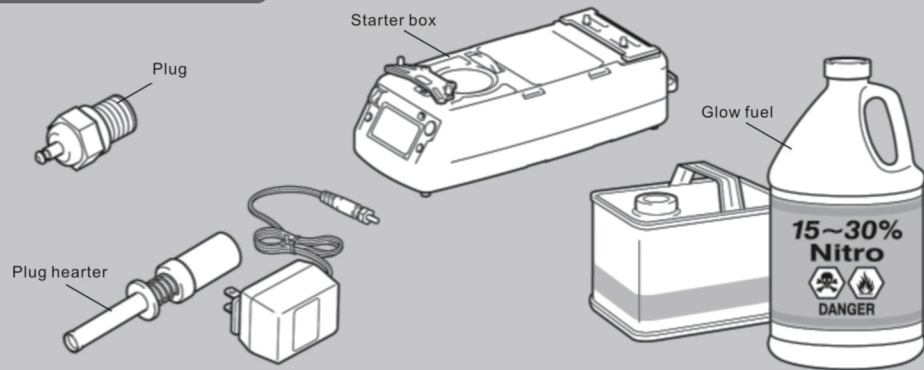
Radio control equipment set



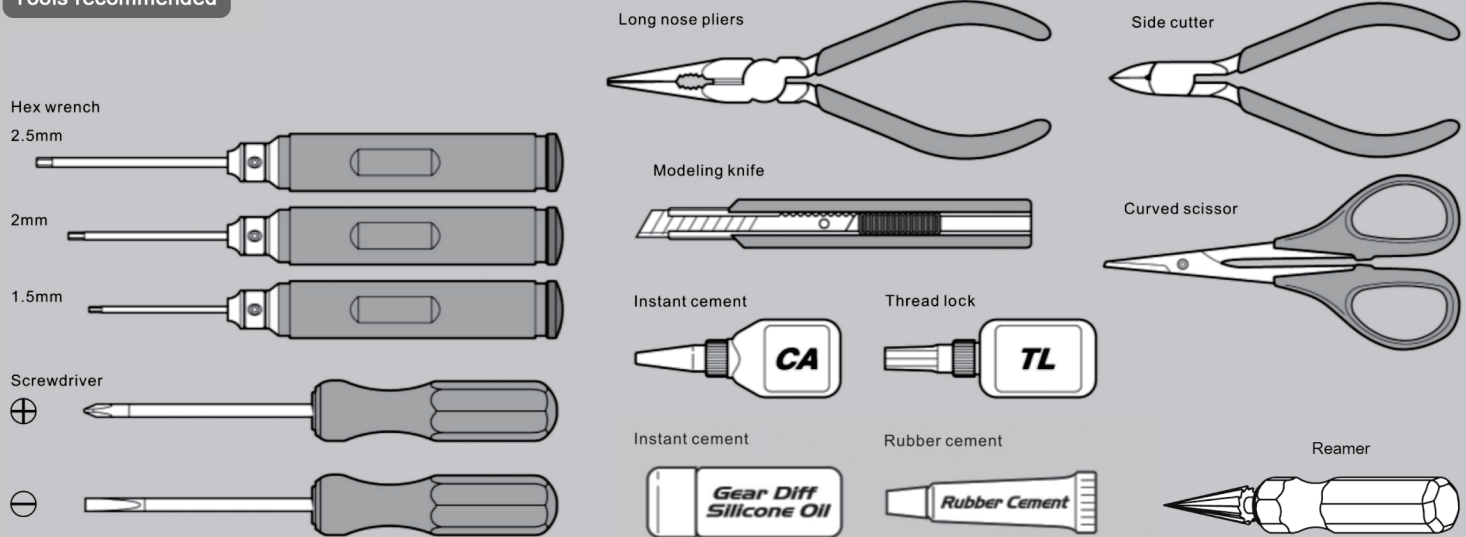
Hyper 30 Engine series



Required for engine starting



Tools recommended

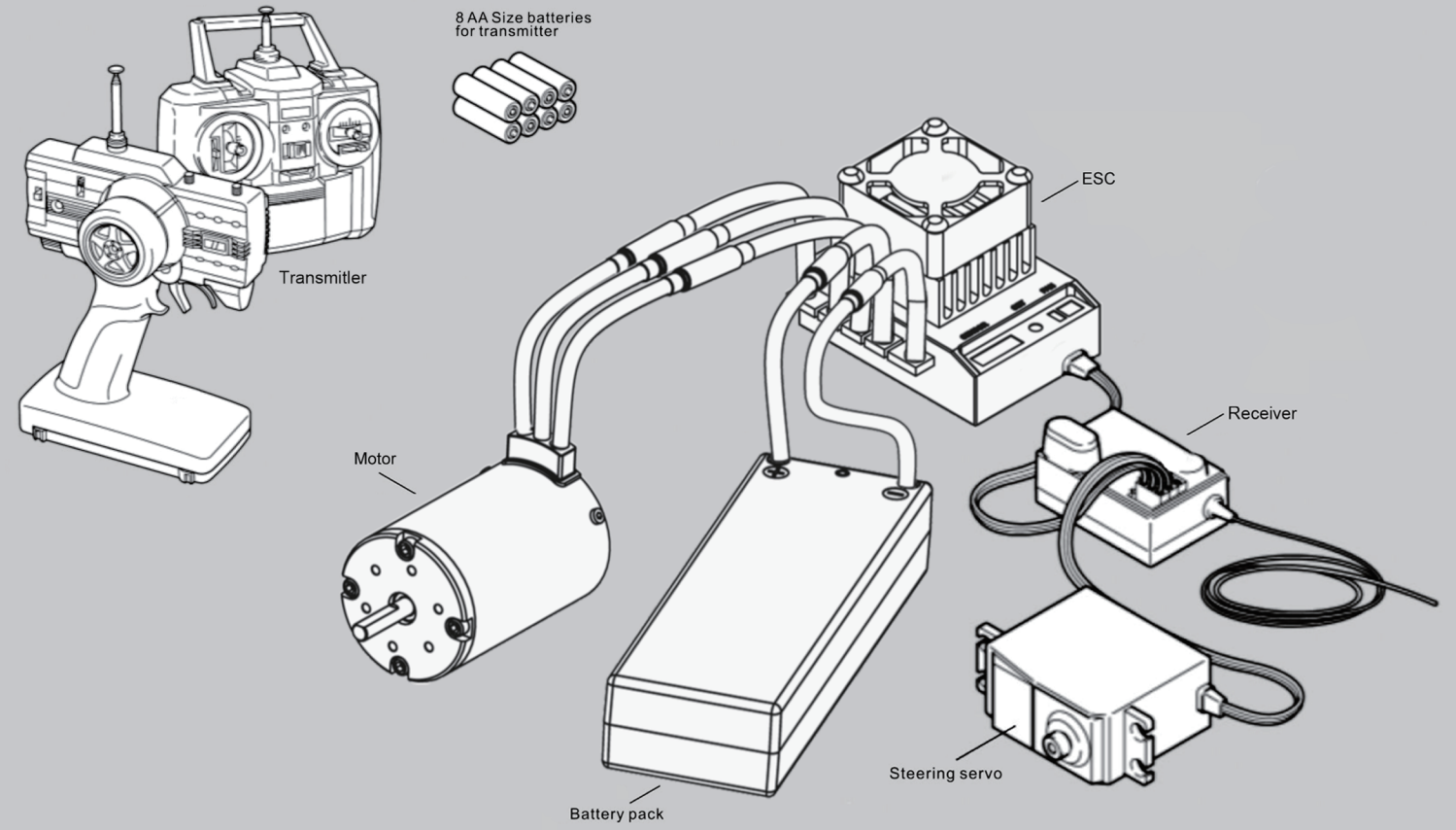


Included items

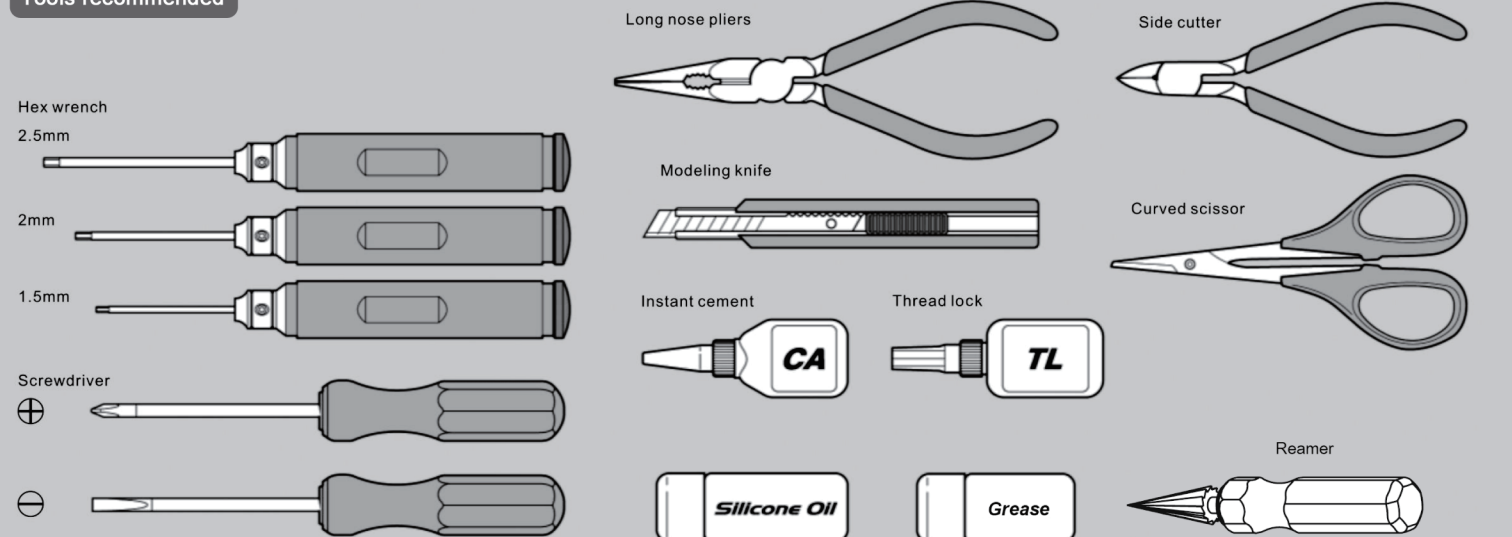


HYPERVS_e

Radio control equipment set

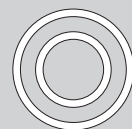
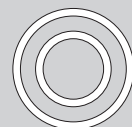
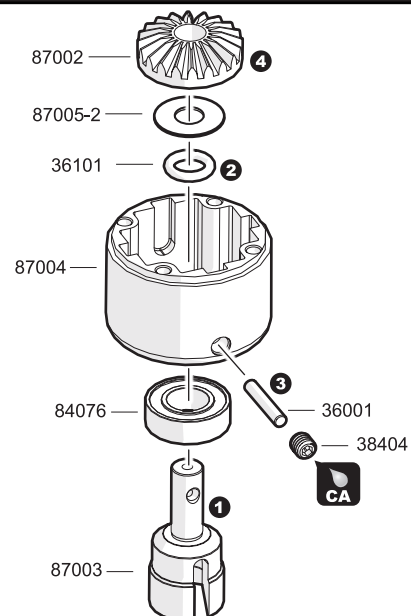
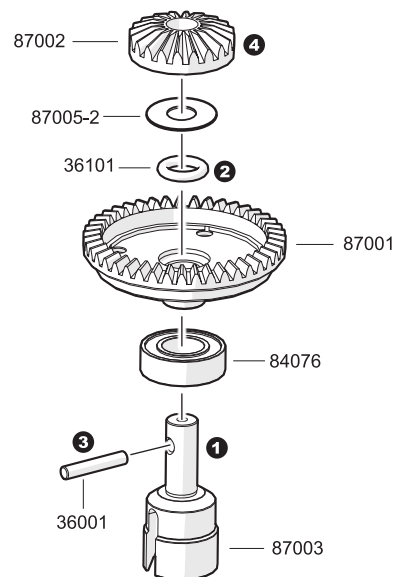
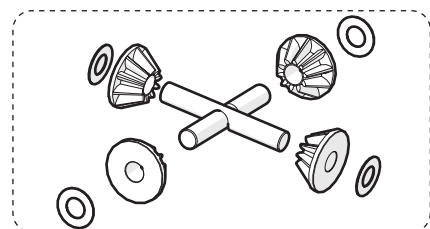
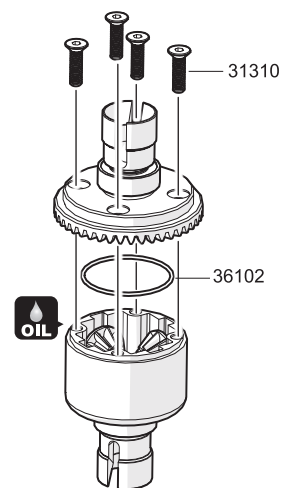
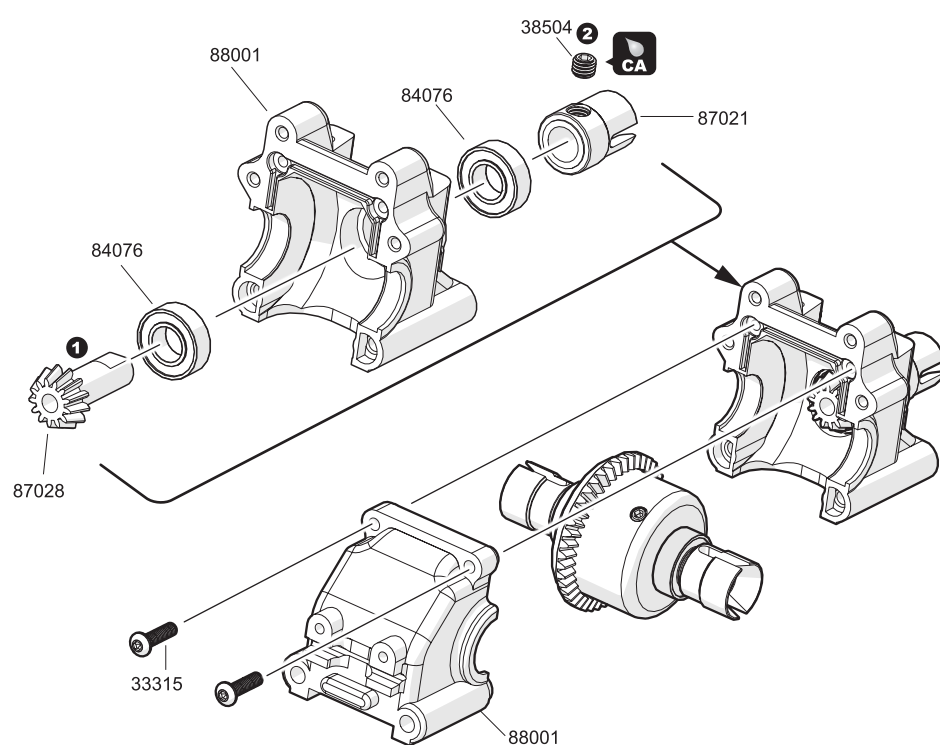
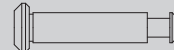
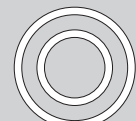
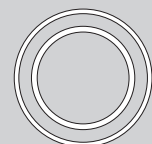
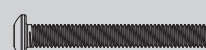
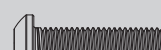
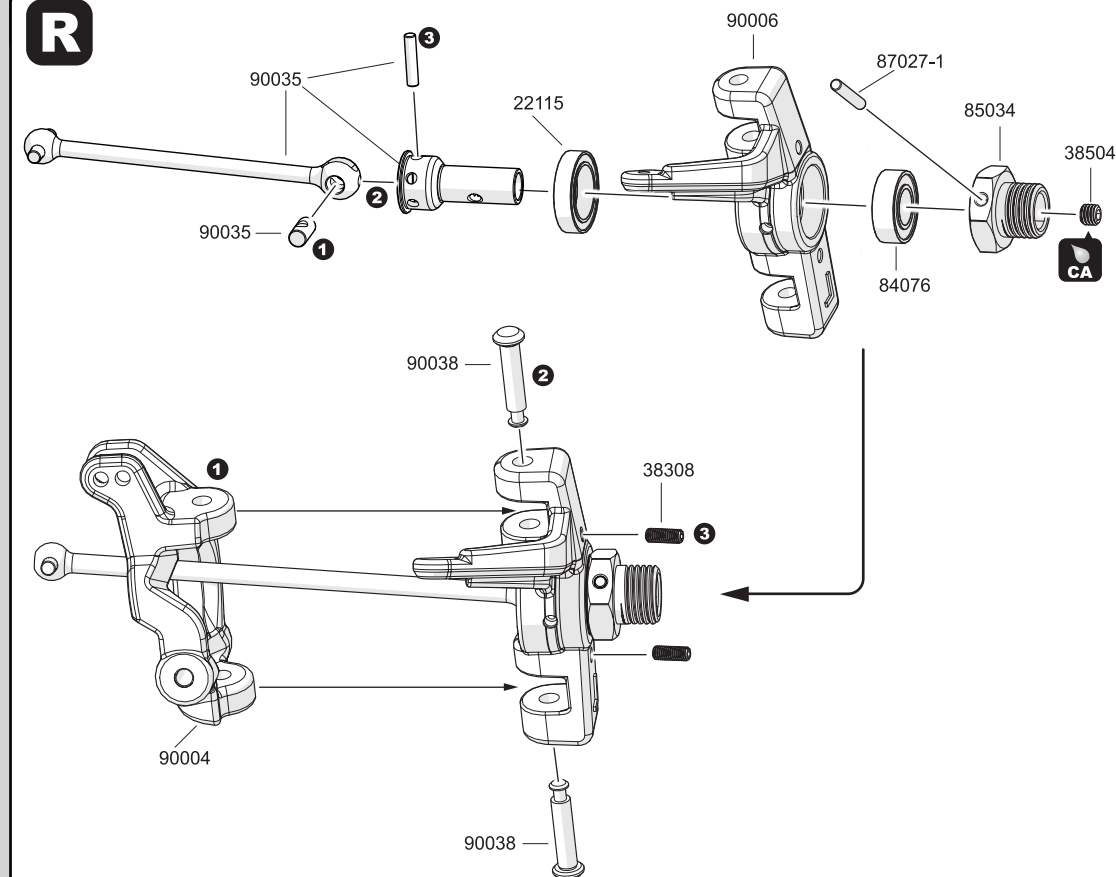
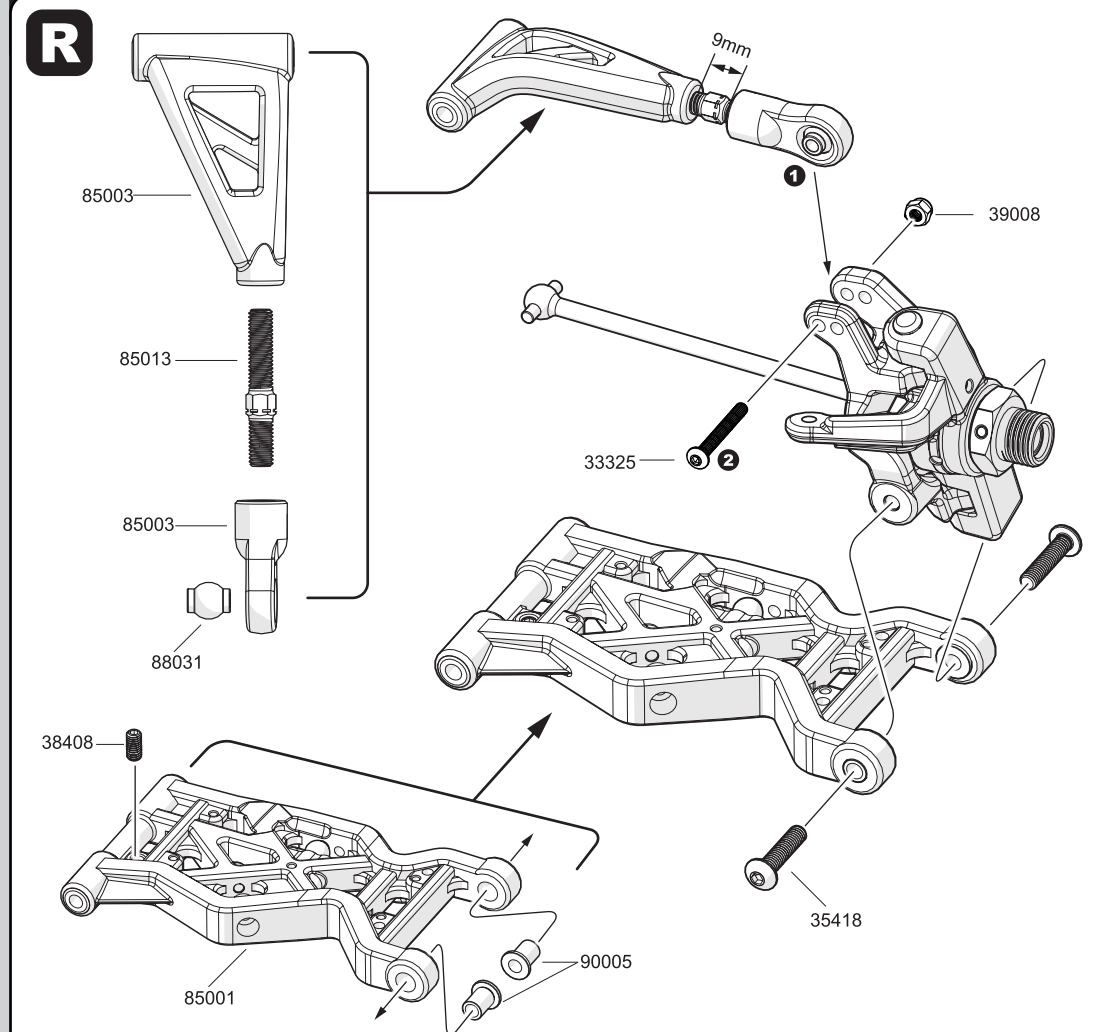


Tools recommended




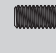
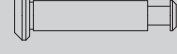
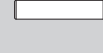
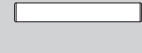

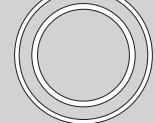
Included items

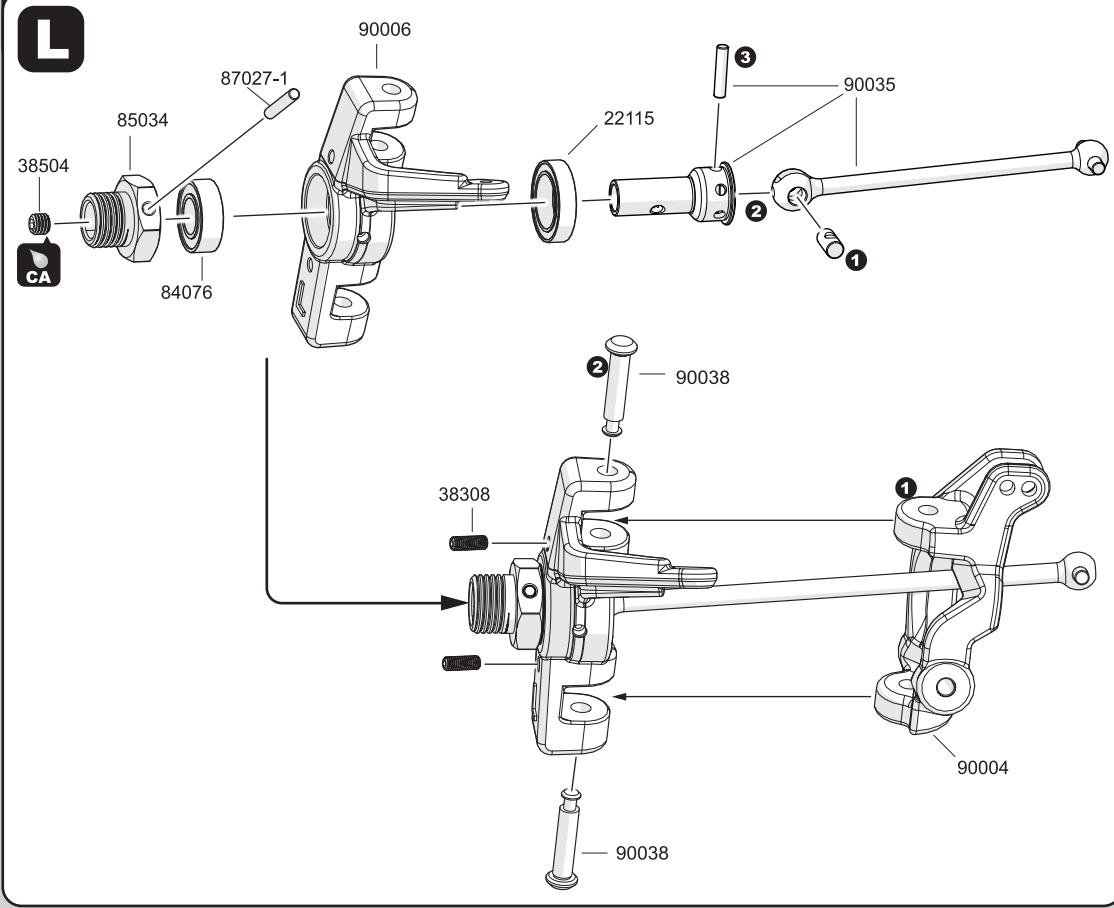


187002
4.1x8x0.1mm x8
Washer87005-2
6.2x13.9x0.15mm x4
Washer36101
5.8x1.9mm x4
O-ring38404
4x4mm x2
Set Screw31310
3x10mm x8
F/H Screw36001
2.5x13.8mm x4
Shaft84076
8x16x5mm x4
Ball Bearing**2**38504
5x4mm x2
Set Screw33315
3x15mm x4
B/H Screw84076
8x16x5mm x4
Ball Bearing**Front / Rear Differential Assembly****x2 GP & EP****1****2****3****4****Front / Rear Gear Box Assembly****x2 GP & EP****3**38504
5x4mm x1
Set Screw38308
3x8mm x2
Set Screw90038
4x21.5mm x2
Hinge Pin90035
2.5x11.8mm x2
Shaft87027-1
2.5x16.8mm x2
Shaft84076
8x16x5mm x1
Ball Bearing22115
12x18x4mm x1
Ball Bearing**4**33325
3x25mm x1
B/H Screw35418
4x18mm x2
B/H Screw39008
M3 Nut x238408
4x8mm x1
Set Screw88031
7.8mm x1
Steel Ball**Front Steering Knuckle And CVA Shaft Assembly****GP & EP****R****Front Suspension Arm Assembly****GP & EP****R**

5


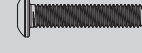


Front Steering Knuckle And CVA Shaft Assembly GP & EP

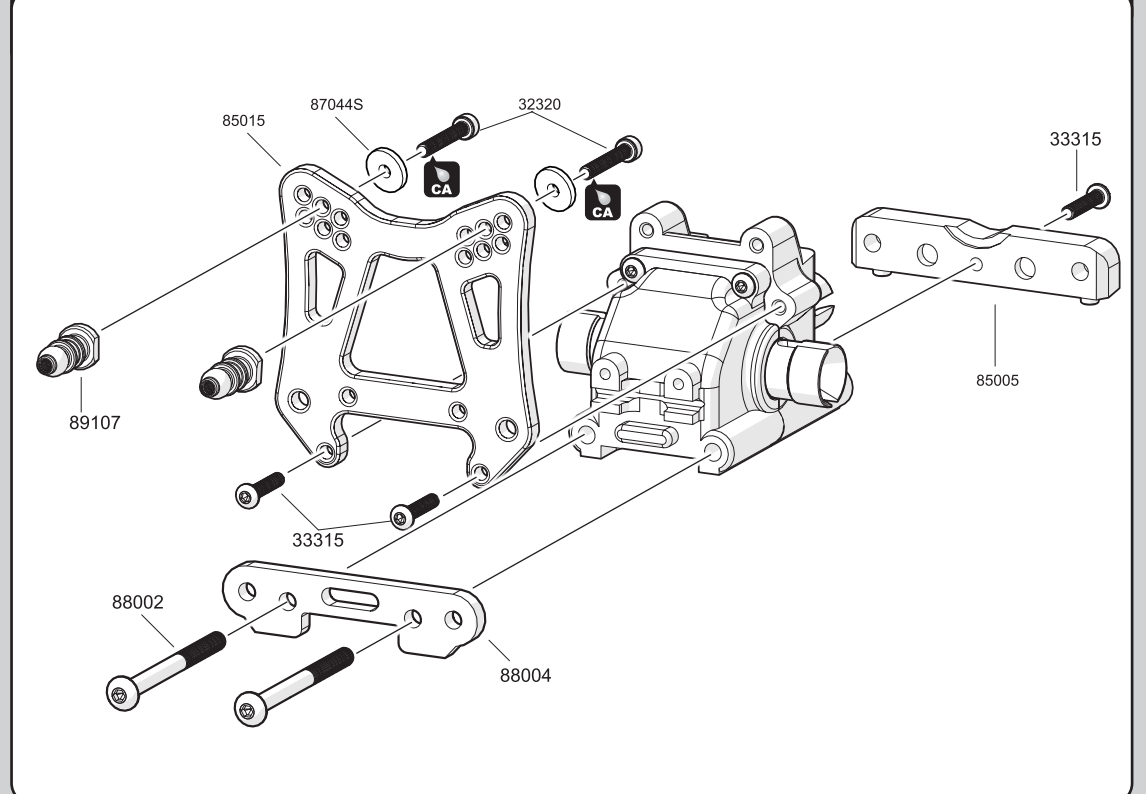
-  38504
5x4mm x1
Set Screw
-  38308
3x8mm x2
Set Screw
-  90038
4x21.5mm x2
Hinge Pin
-  90035
2.5x11.8mm x1
Shaft
-  87027-1
2.5x16.8mm x1
Shaft
-  84076
8x16x5mm x1
Ball Bearing
-  22115
12x18x4mm x1
Ball Bearing



7


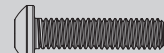

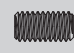

Front Shock Tower & Lower Arm Holder Assembly GP & EP

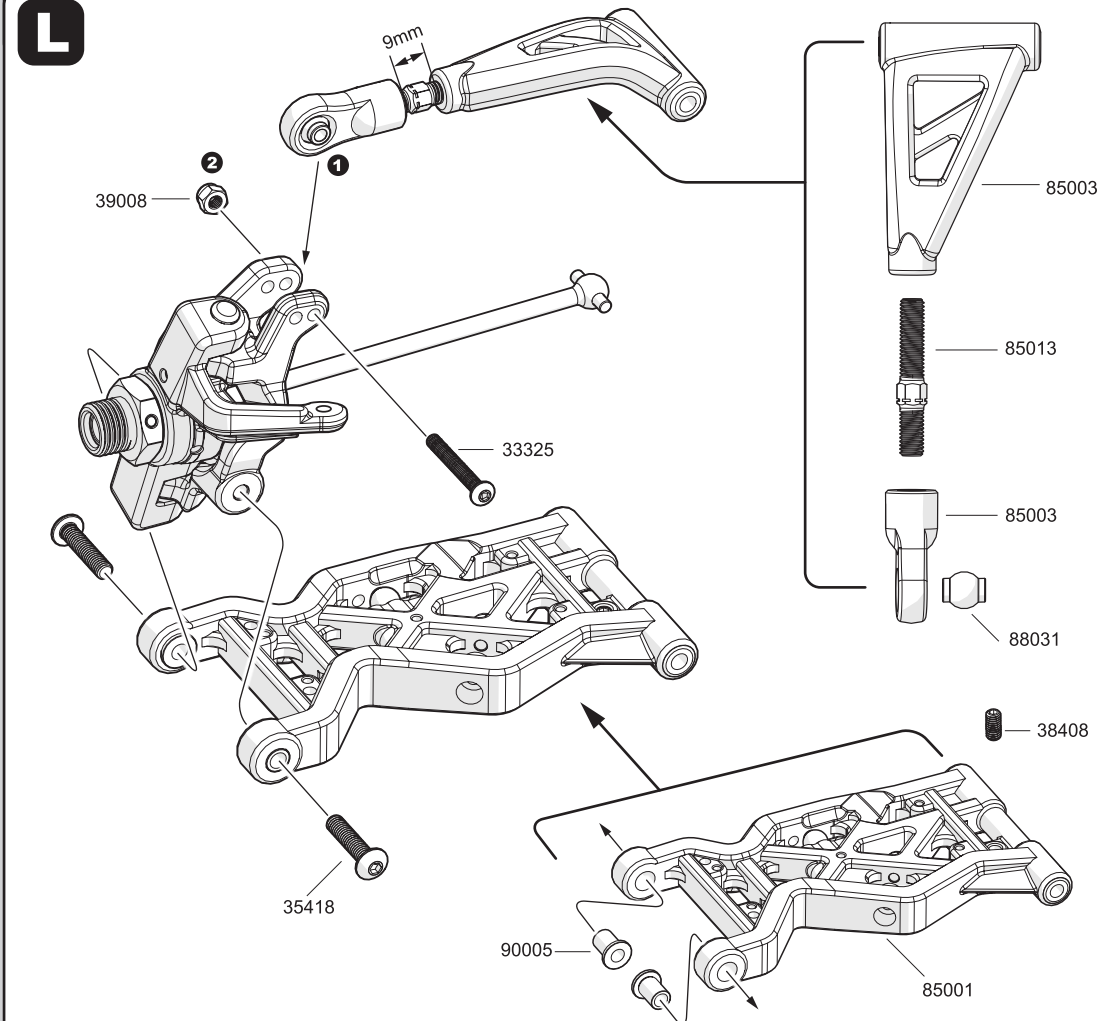
-  87044S x2
Alum Collar
-  33315
3x15mm x3
B/H Screw
-  32320
3x20mm x2
Cap Screw
-  88002
4x47mm x2
B/H Screw



6





Front Suspension Arm Assembly GP & EP

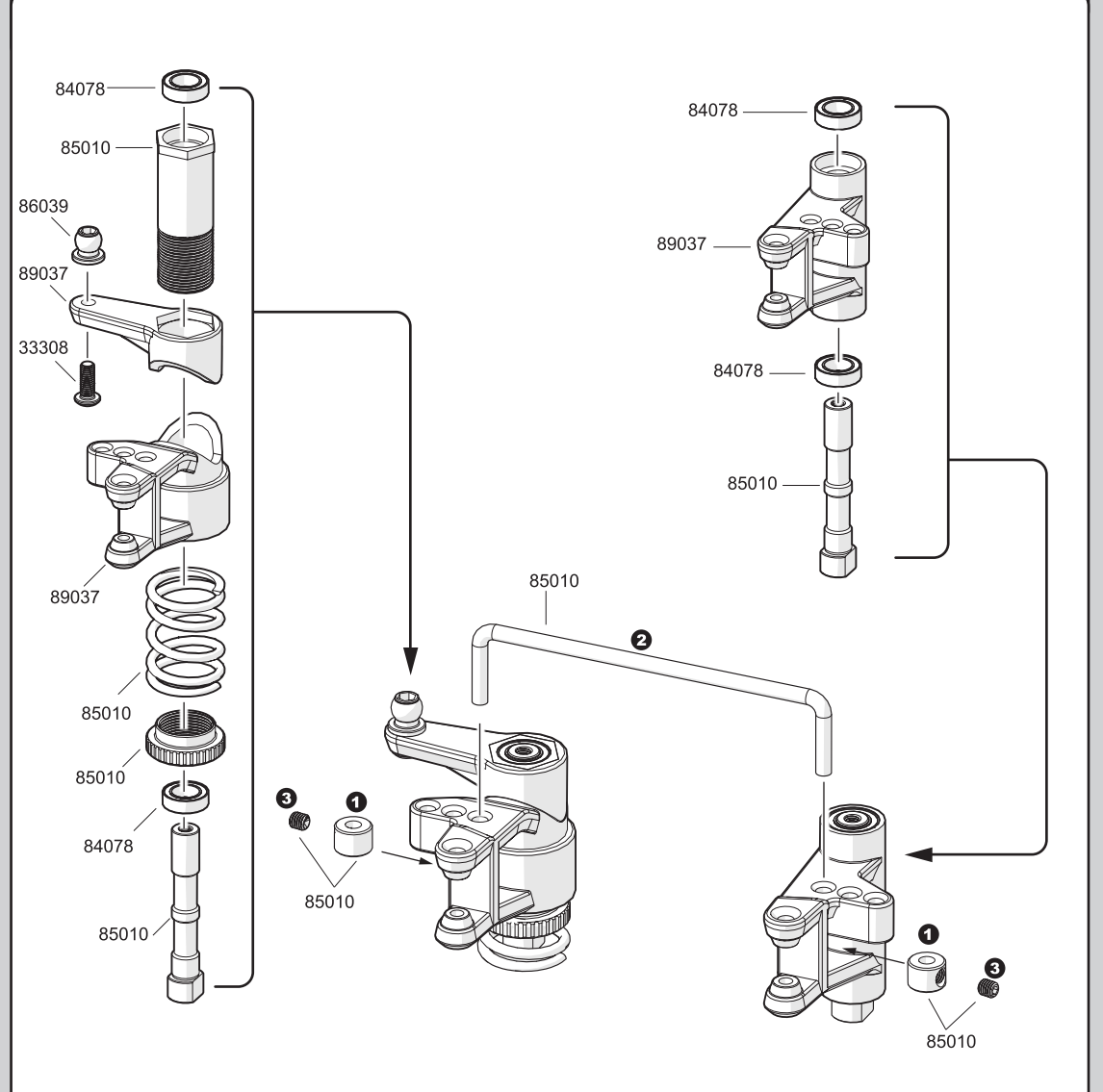
-  33325
3x25mm x1
B/H Screw
-  35418
4x18mm x2
B/H Screw
-  39008
M3 Nut x2
-  38408
4x8mm x1
Set Screw
-  88031
7.8mm x1
Steel Ball



8

Servo Saver Assembly 1 GP & EP

-  84078
6x10x3mm x4
Ball Bearing
-  33308
3x8mm x1
B/H Screw
-  86039
5.8mm x1
Steel Ball
-  38303
3x3mm x2
Set Screw



9

Servo Saver Assembly 2

GP & EP



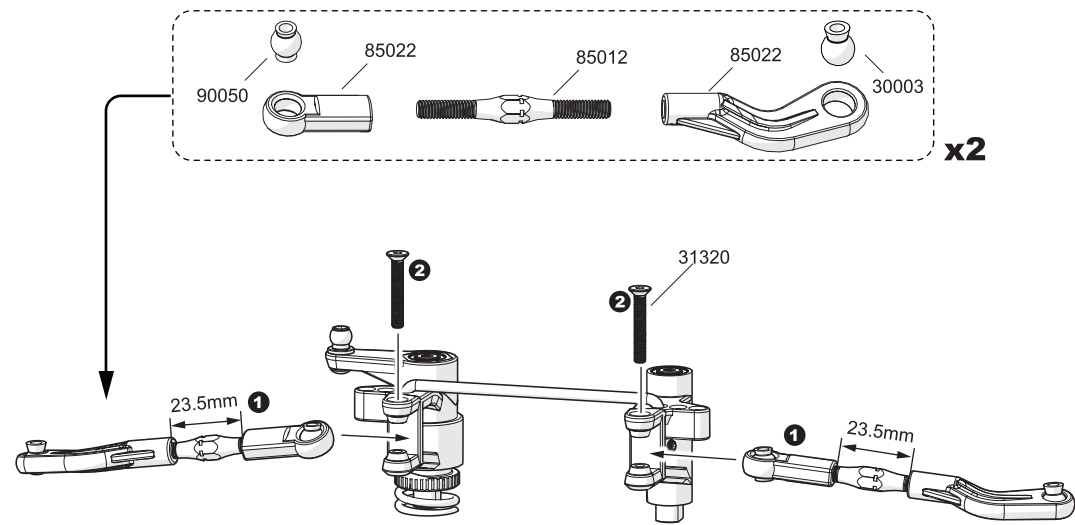
31320
3x20mm x2
F/H Screw



90050
6.8mm x2
Steel Ball



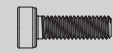
30003
6.8mm x2
Steel Ball



10

Servo Saver Assembly 3

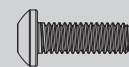
GP & EP



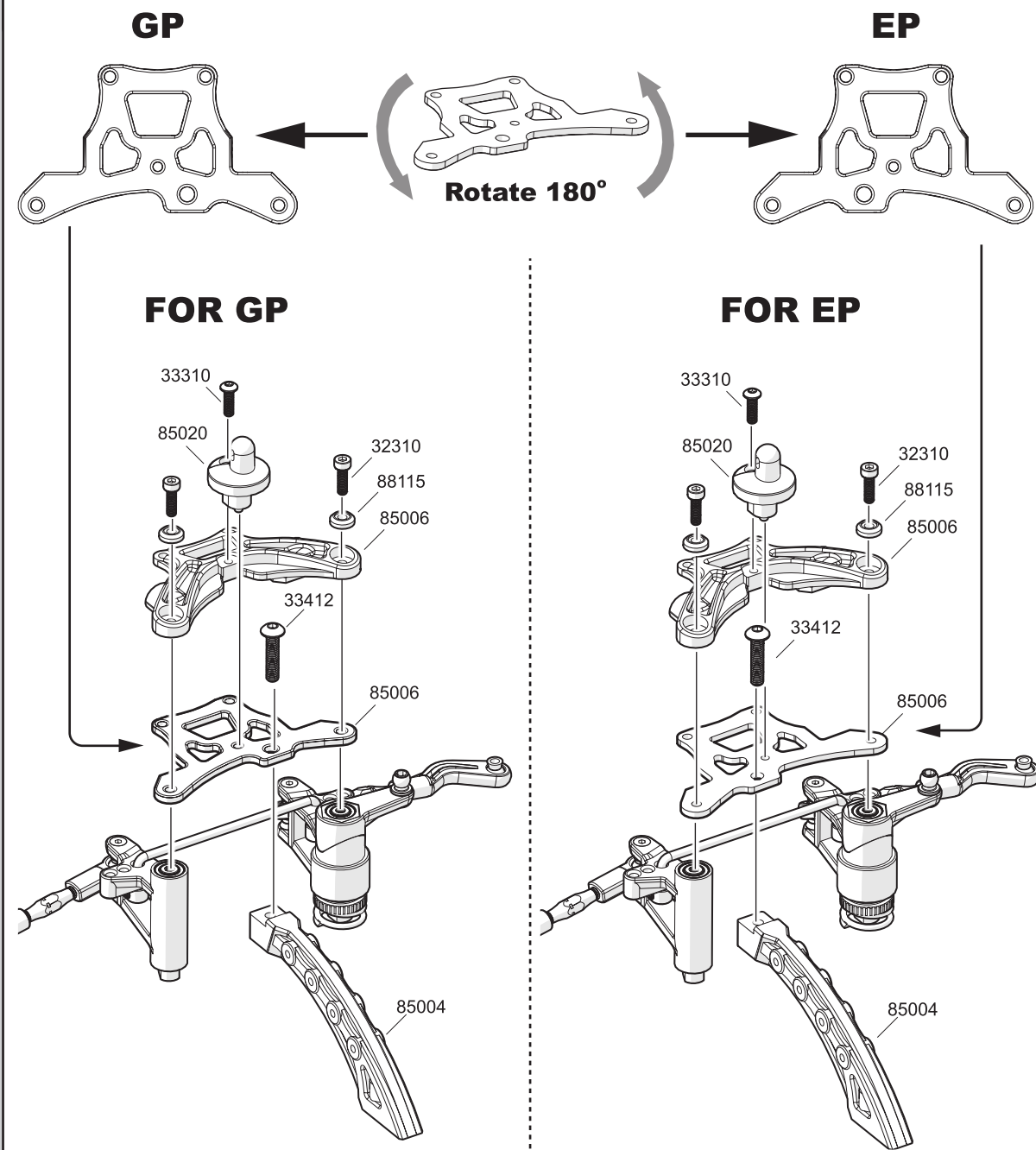
32310
3x10mm x2
Cap Screw



33310
3x10mm x1
B/H Screw



33412
4x12mm x1
B/H Screw



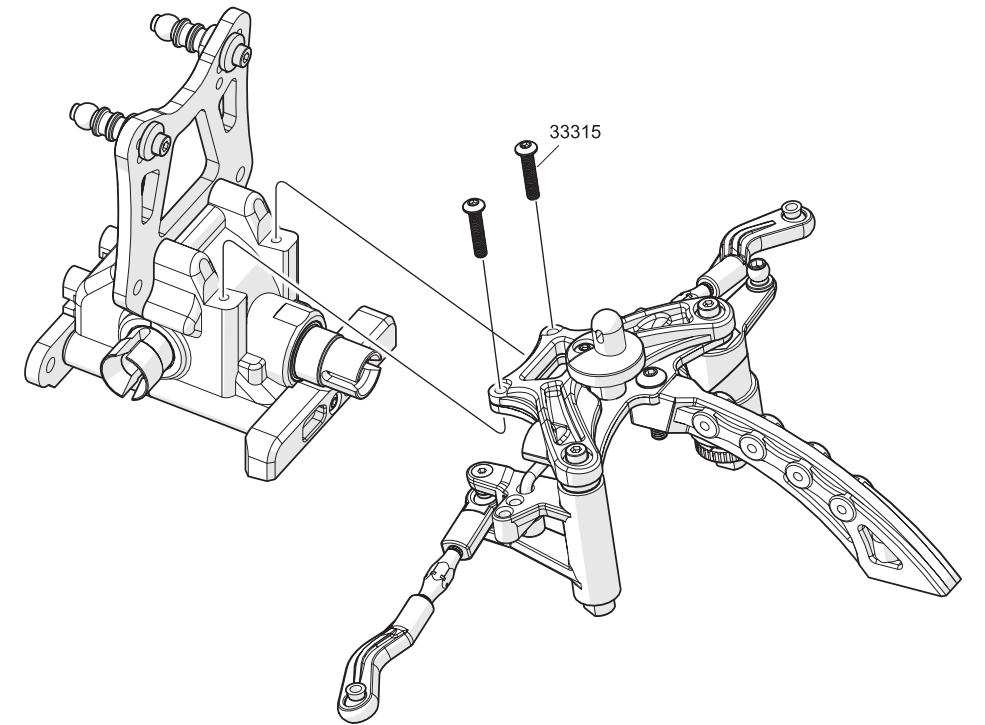
11

Servo Saver Assembly 4

GP & EP



33315
3x15mm x2
B/H Screw



12

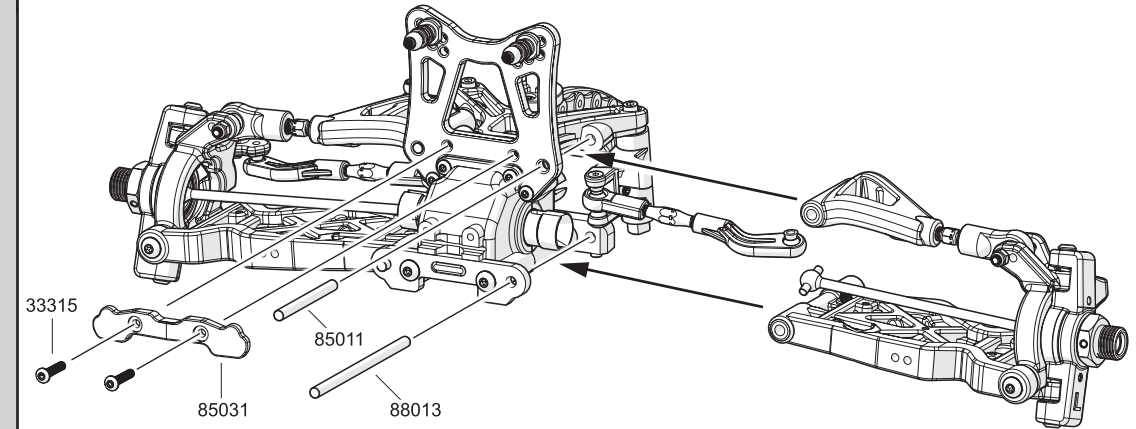
Front Suspension Arm Assembly

GP & EP



33315
3x15mm x2
B/H Screw

STEP 1



13

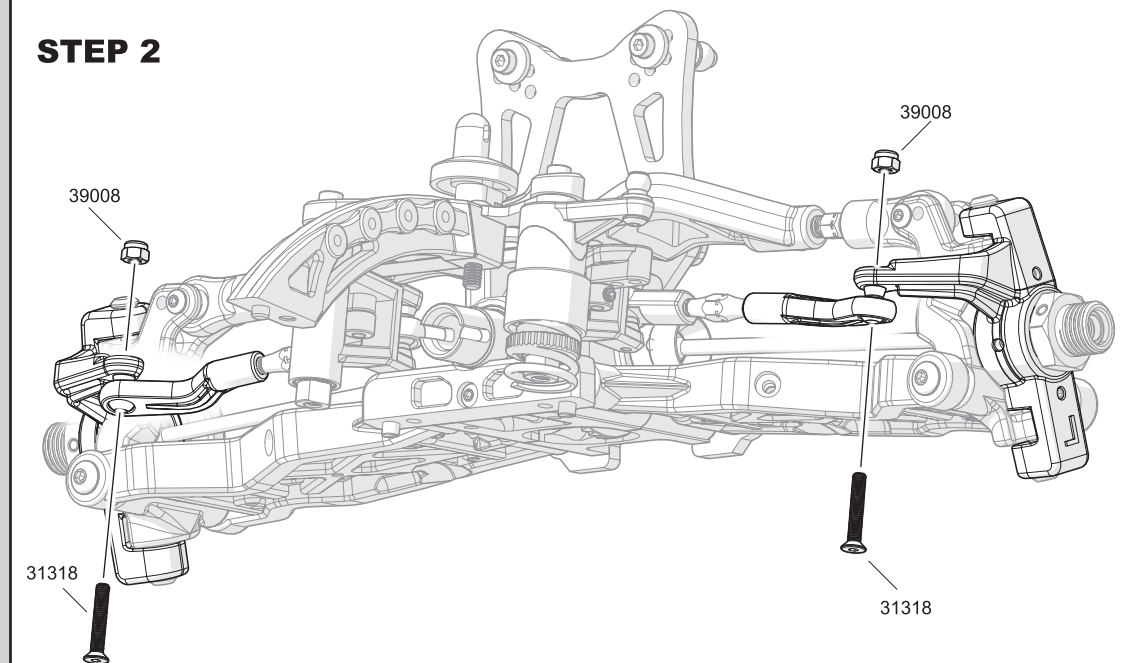
STEP 2



31318
3x18mm x2
F/H Screw








39008
M3 Nut x2

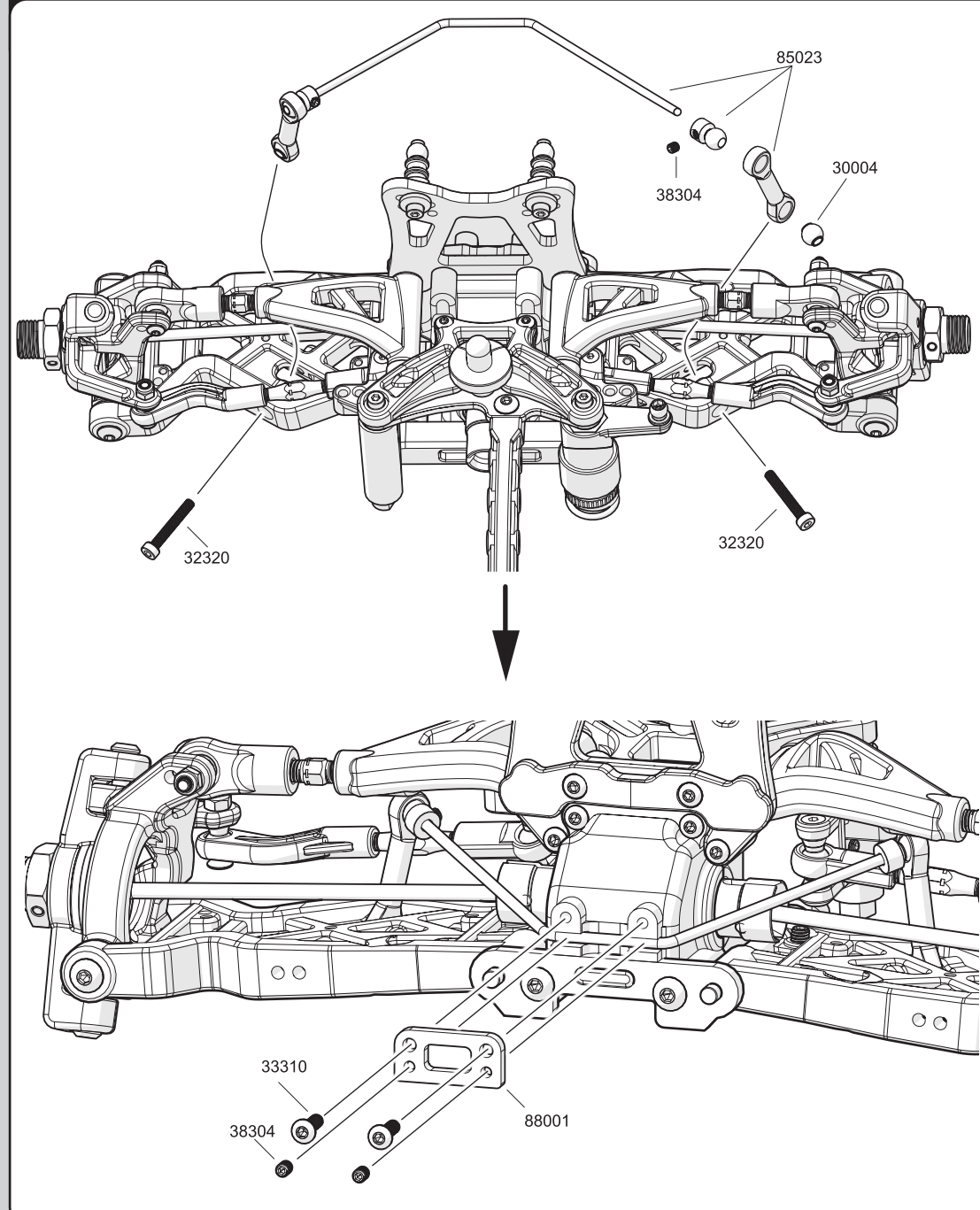


14

Front Sway Bar Assembly

GP & EP





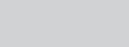



-  85023
3x3mm x2
Set Screw
-  38304
3x4mm x2
Set Screw
-  33310
3x10mm x2
B/H Screw
-  32320
3x20mm x2
Cap Screw
-  30004
6.8mm
Steel Ball

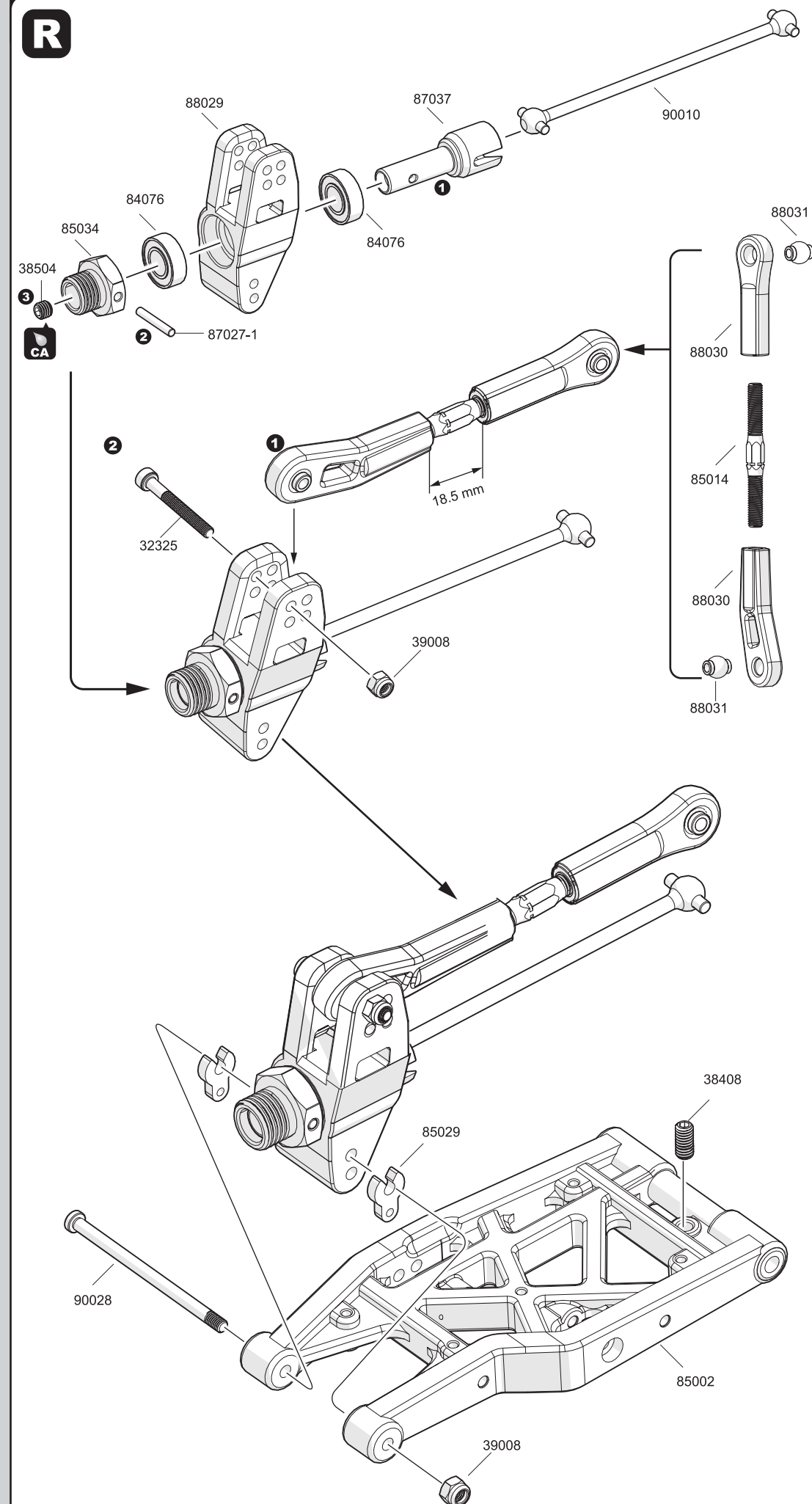


16

Rear Suspension Arm / Axle Assembly 1

GP & EP




-  38504
5x4mm x1
Set Screw
-  38408
4x8mm x1
Set Screw
-  39008
M3 Nut x2
-  88031
7.8mm x1
Ball Long
-  84076
8x16x5mm x2
Ball Bearing
-  87027-1
2.5x16.8mm x1
Shaft
-  32325
3x25mm x1
Cap Screw
-  90028
3x50mm x1
Cap Screw

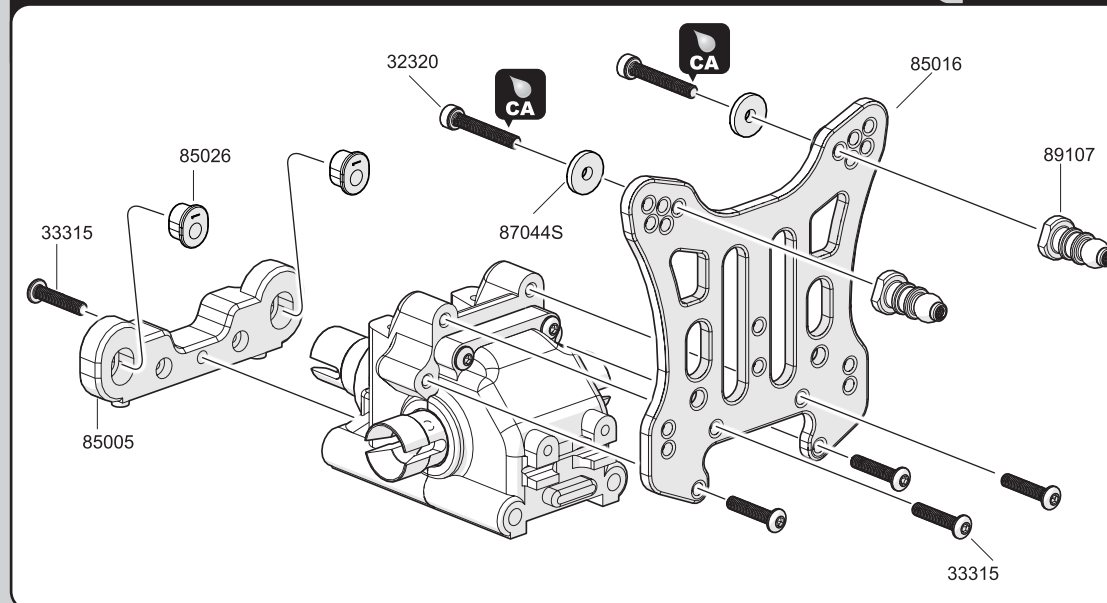


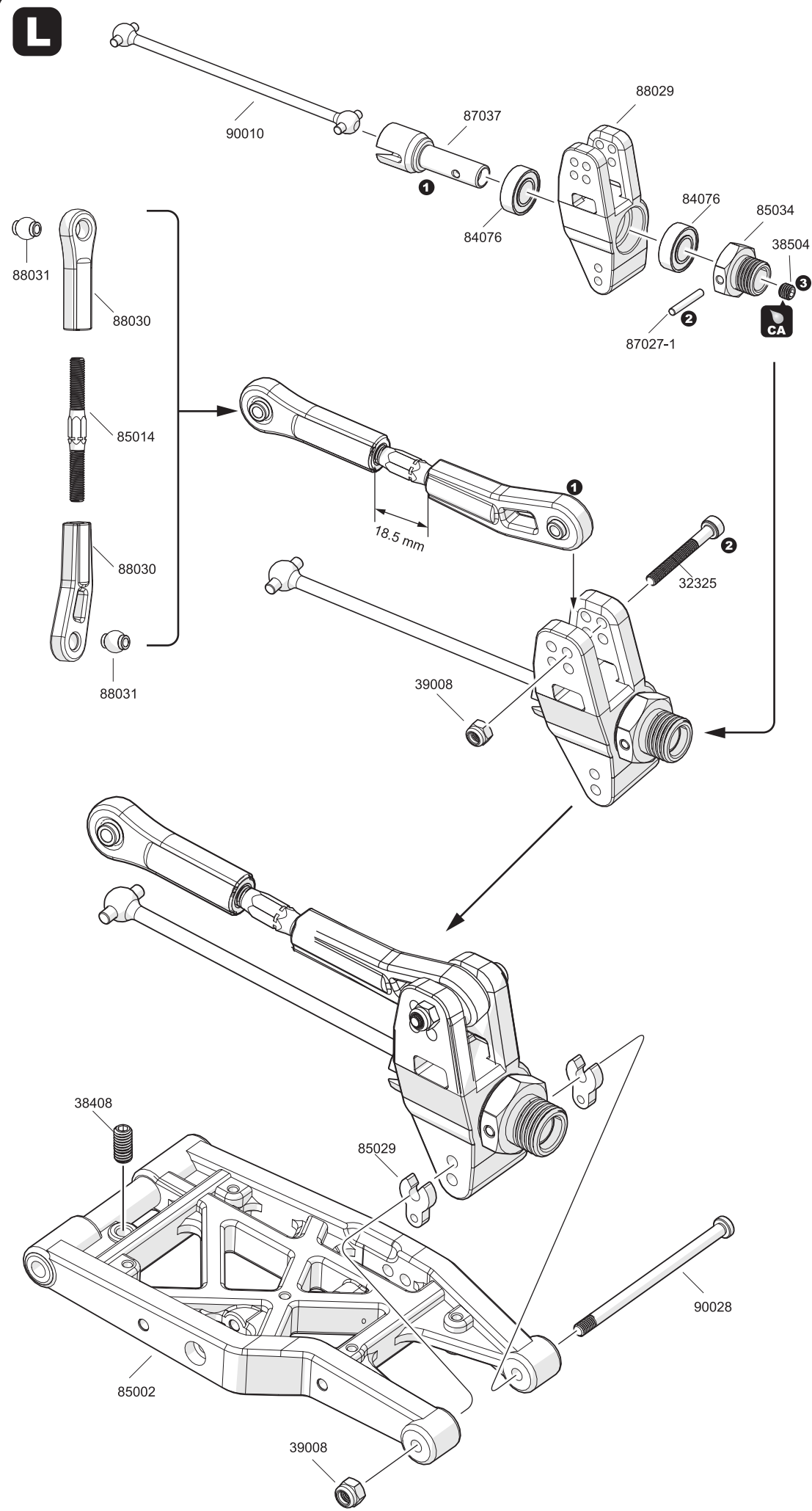
15

Rear Shock Tower & Lower Arm Holder Assembly

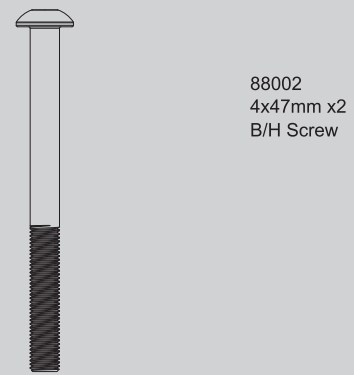
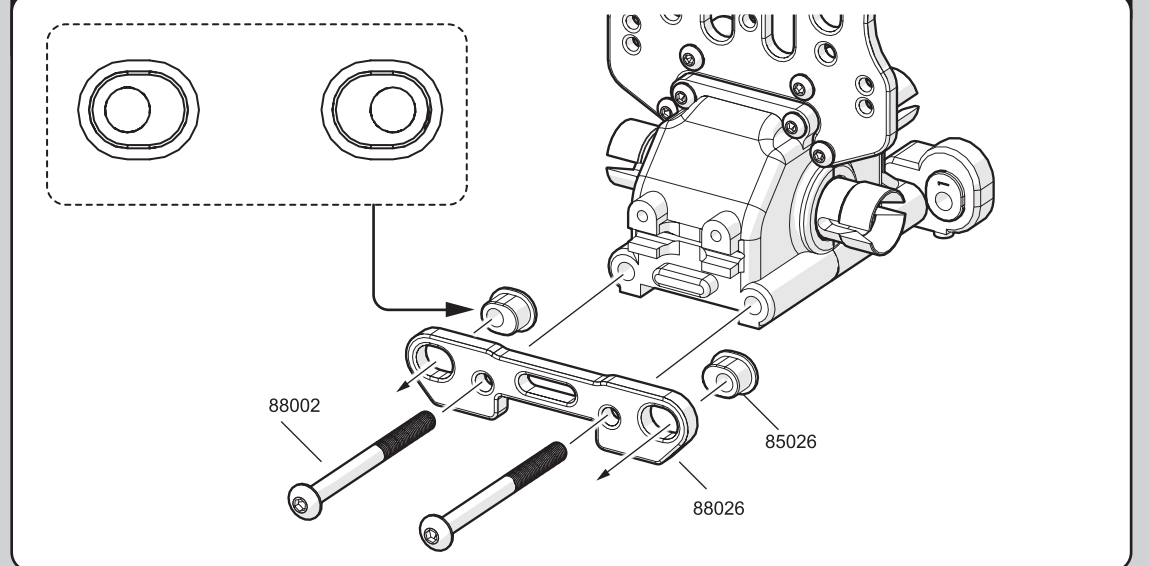
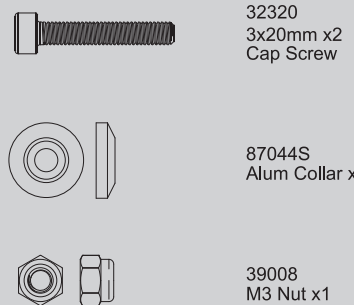
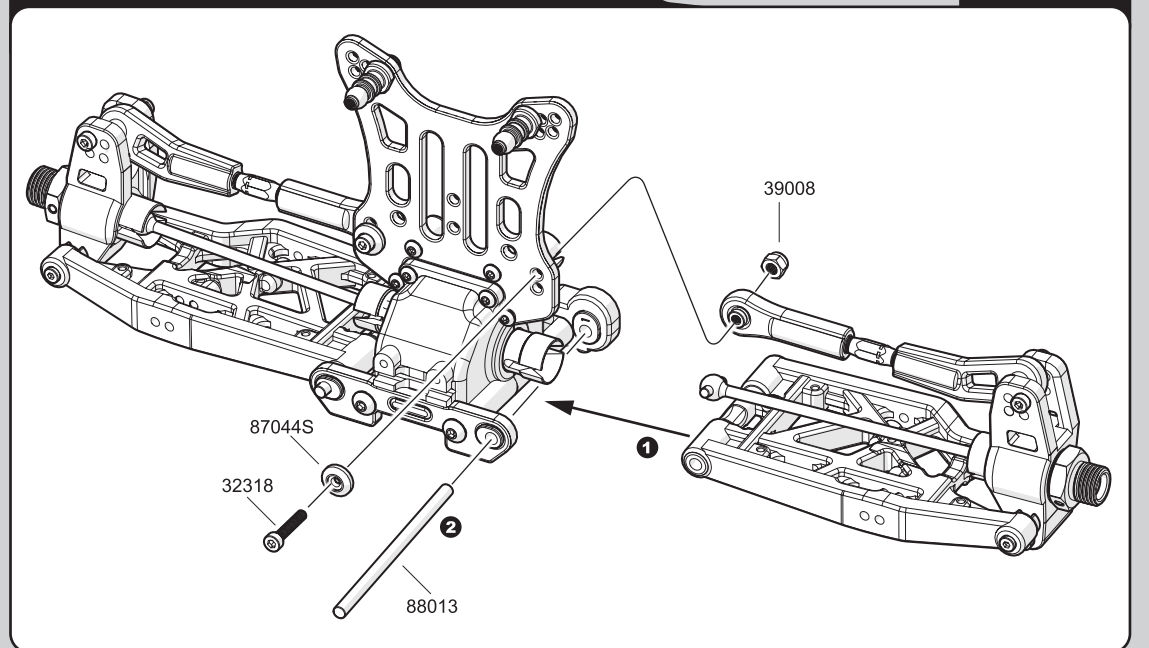
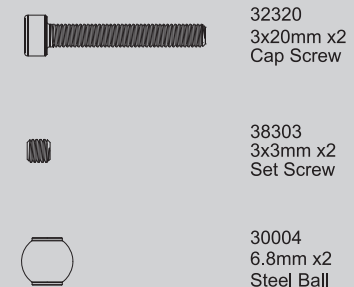
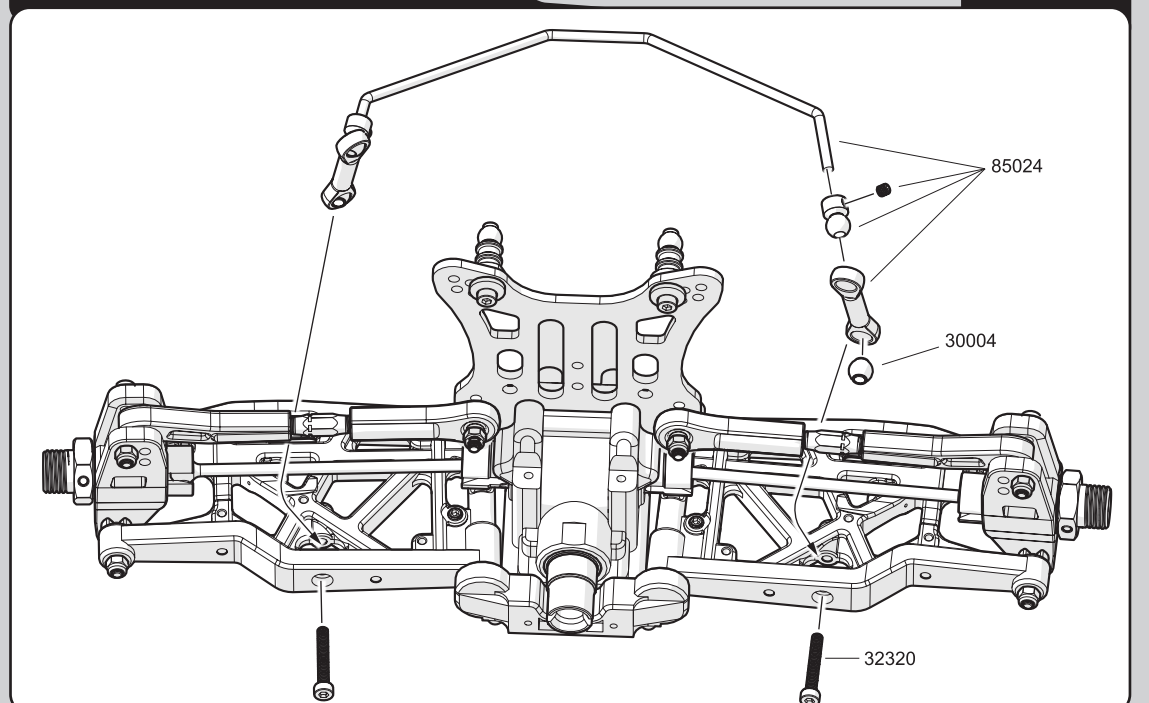
GP & EP

-  87044S
Alum Collar x2
-  32320
3x20mm x2
Cap Screw
-  33315
3x15mm x5
B/H Screw



17**Rear Suspension Arm / Axle Assembly 2****GP & EP**38504
5x4mm x1
Set Screw38408
4x8mm x1
Set Screw39008
M3 Nut x288031
7.8mm x2
Ball Long84076
8x16x5mm x2
Ball Bearing87027-1
2.5x16.8mm x1
Shaft32325
3x25mm x1
Cap Screw90028
3x50mm x1
Cap Screw

09

18**Rear Lower Arm Holder Assembly****GP & EP**88002
4x47mm x2
B/H Screw**19****Rear Suspension Arm Assembly****GP & EP**32320
3x20mm x2
Cap Screw87044S
Alum Collar x239008
M3 Nut x1**20****Rear Sway Bar Assembly****GP & EP**32320
3x20mm x2
Cap Screw38303
3x3mm x2
Set Screw30004
6.8mm x2
Steel Ball

10

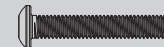
21

Rear Body Post And Mud Guard Assembly

GP & EP



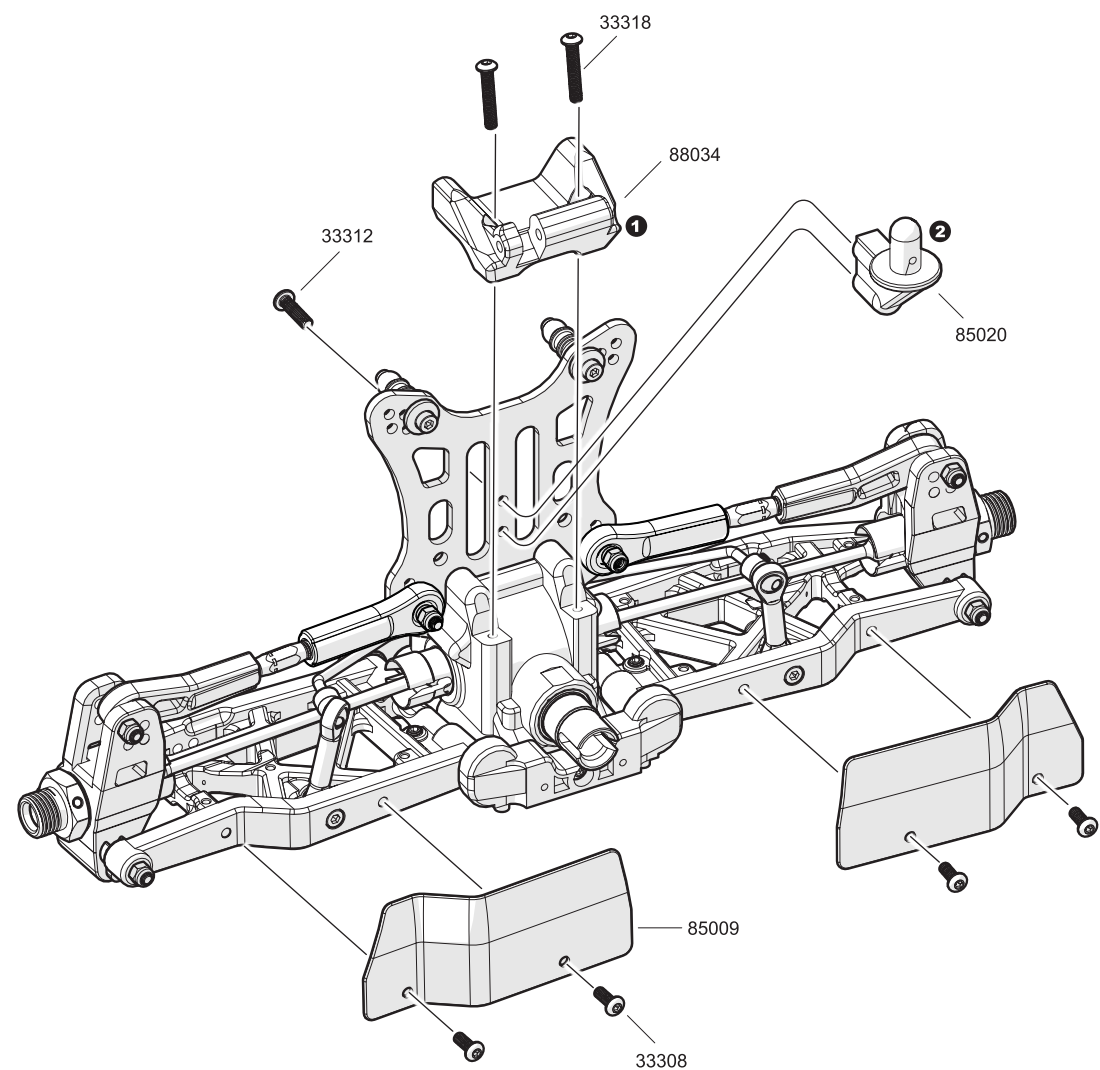
33308
3x8mm x4
B/H Screw



33318
3x18mm x2
B/H Screw



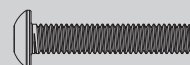
33312
3x12mm x1
B/H Screw



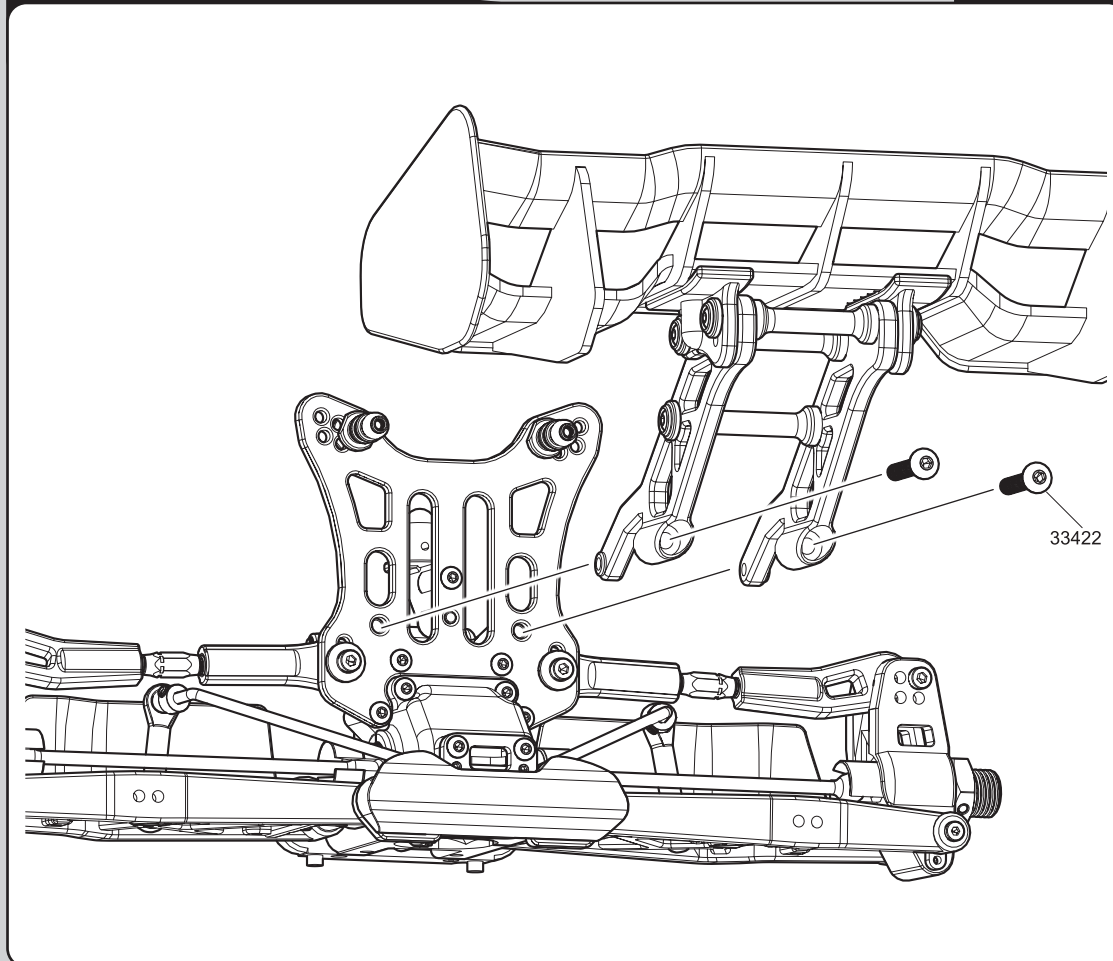
24

Wing Mount Assembly

GP & EP



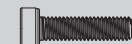
33422
4x22mm x2
B/H Screw



23

Wing Assembly

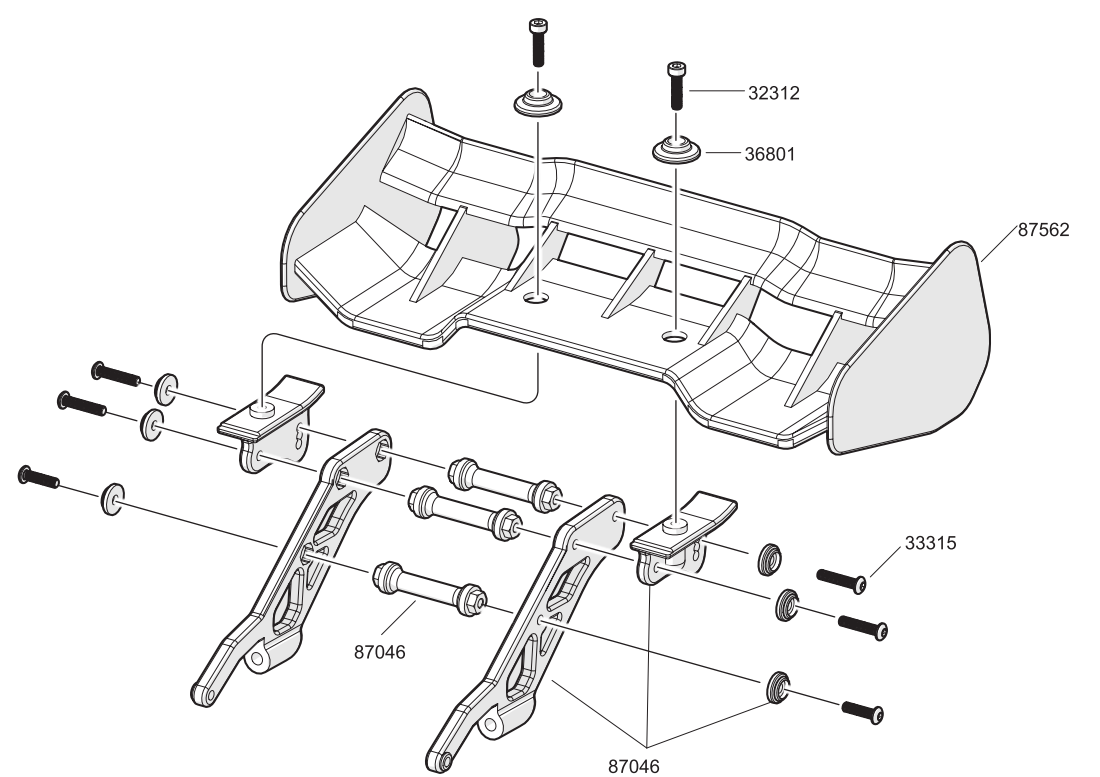
GP & EP



32312
3x12mm x2
Cap Screw



33315
3x15mm x6
B/H Screw



25

Rear Chassis Brace Assembly

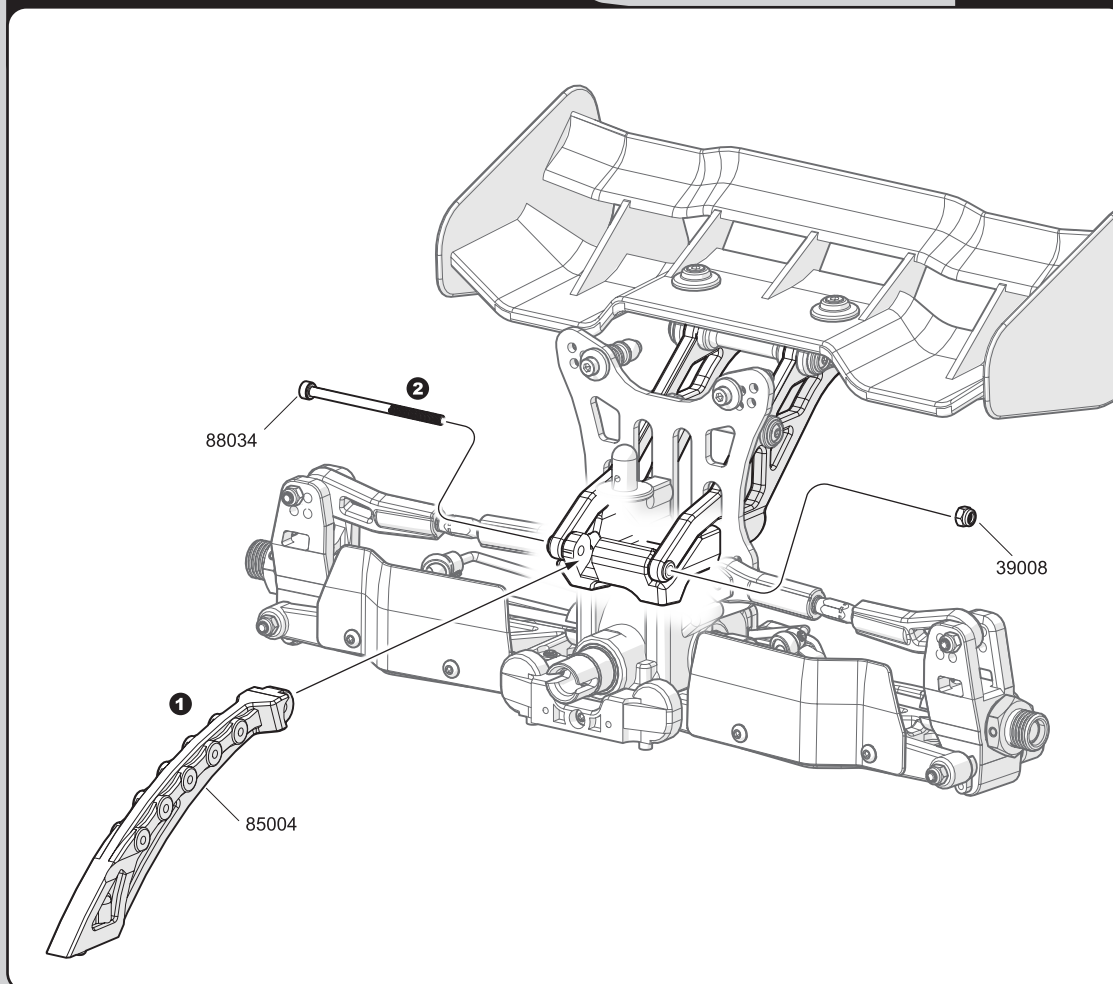
GP & EP








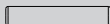
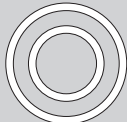
39008
M3 Nut x1



88034
3x50x20 x1
Cap Screw

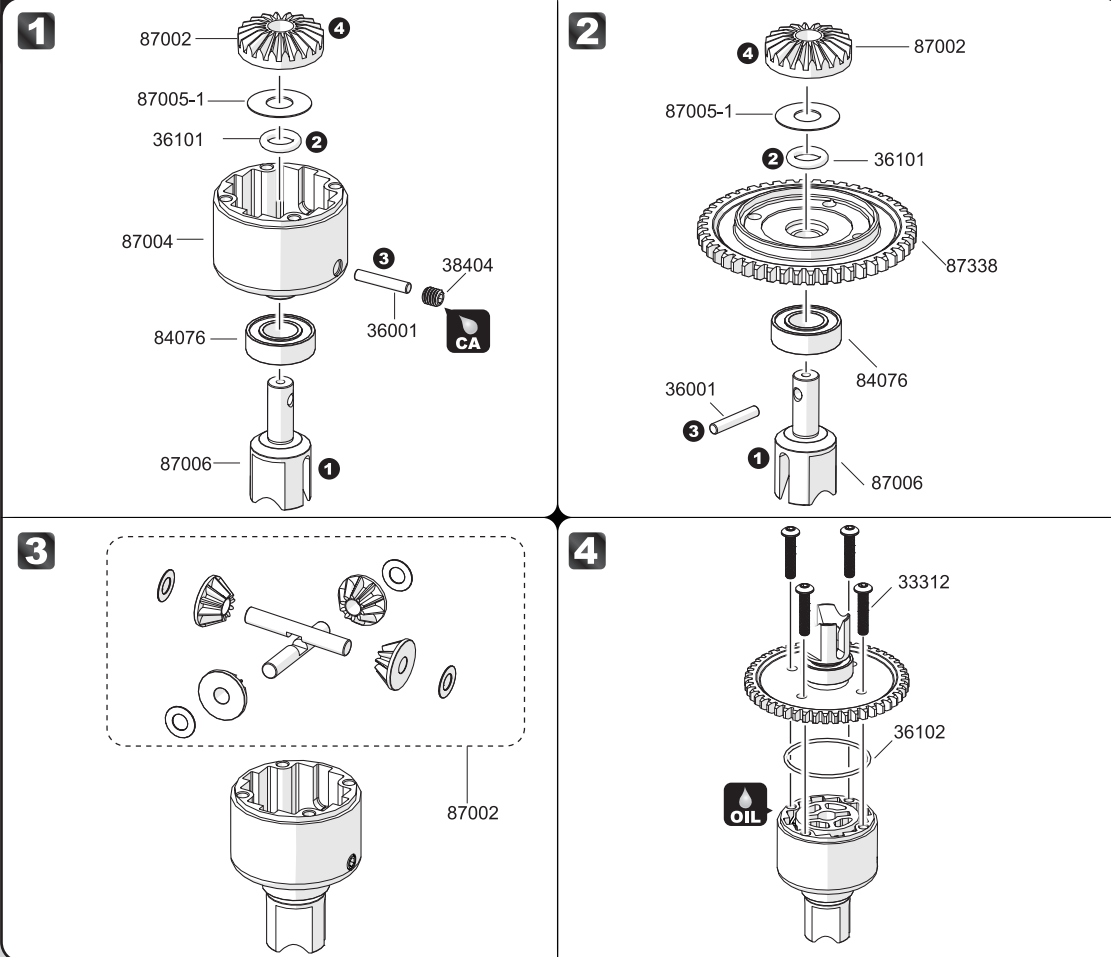


26



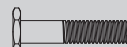
-  87002
4.1x8x0.1mm x4
Washer
-  87005-1
6.1x13.9x0.3mm x2
Washer
-  36101
5.8x1.9mm x2
O-ring
-  38404
4x4mm x1
Set Screw
-  33312
3x12mm x4
B/H Screw
-  36001
2.5x13.8mm x2
Shaft
-  84076
8x16x5mm x2
Ball Bearing

Center Differential Assembly

GP & EP

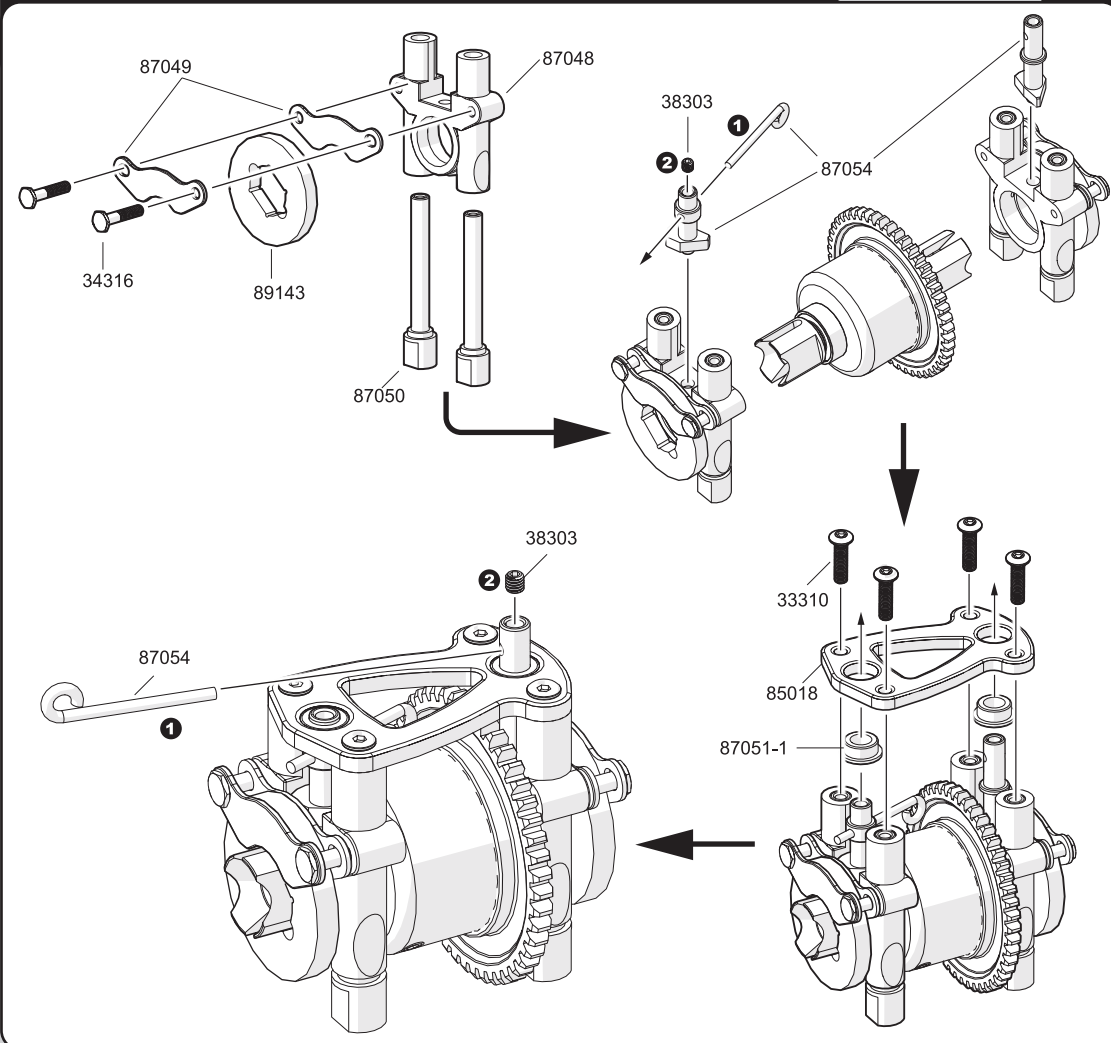


27

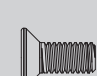
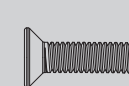
-  38303
3x3mm x2
Set Screw
-  33310
3x10mm x4
B/H Screw
-  34316
3x14.5mm x4
Brake Screw

Center Differential / Brake Mount Assembly

GP

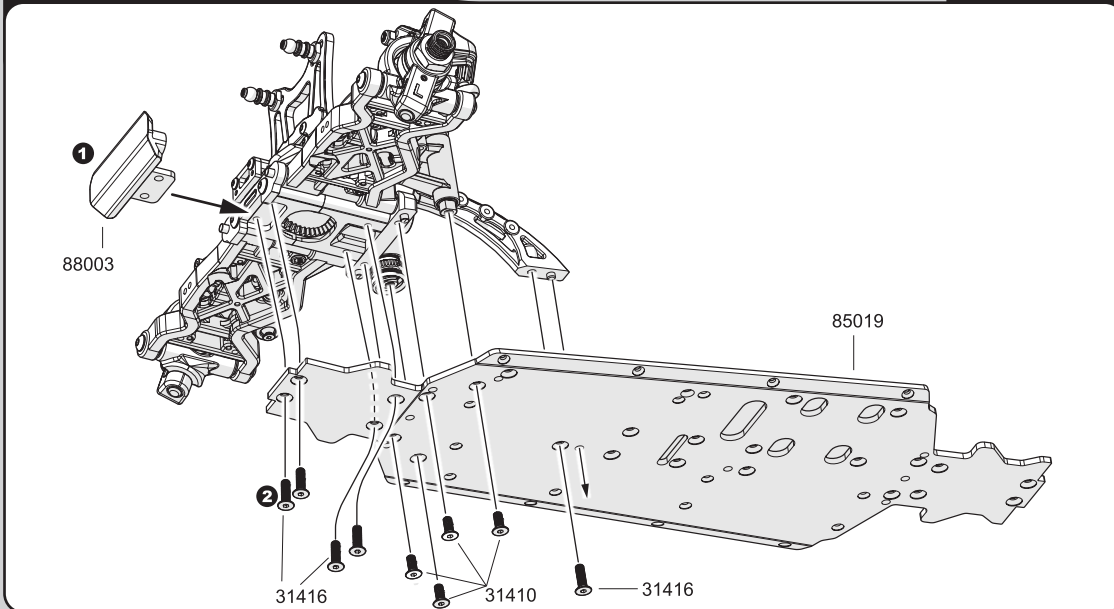


28

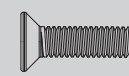
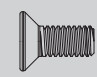
-  31410
4x10mm x4
F/H Screw
-  31416
4x16mm x5
F/H Screw

Front Clip Assembly

GP & EP

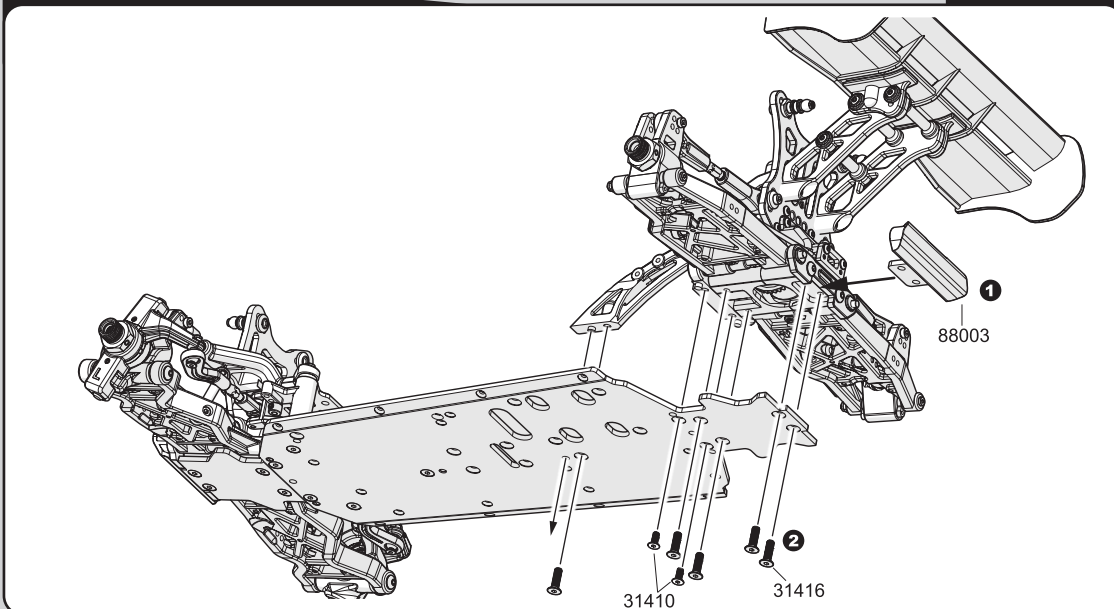


29

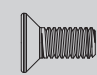
-  31416
4x16mm x5
F/H Screw
-  31410
4x10mm x2
F/H Screw

Rear Clip Assembly

GP & EP

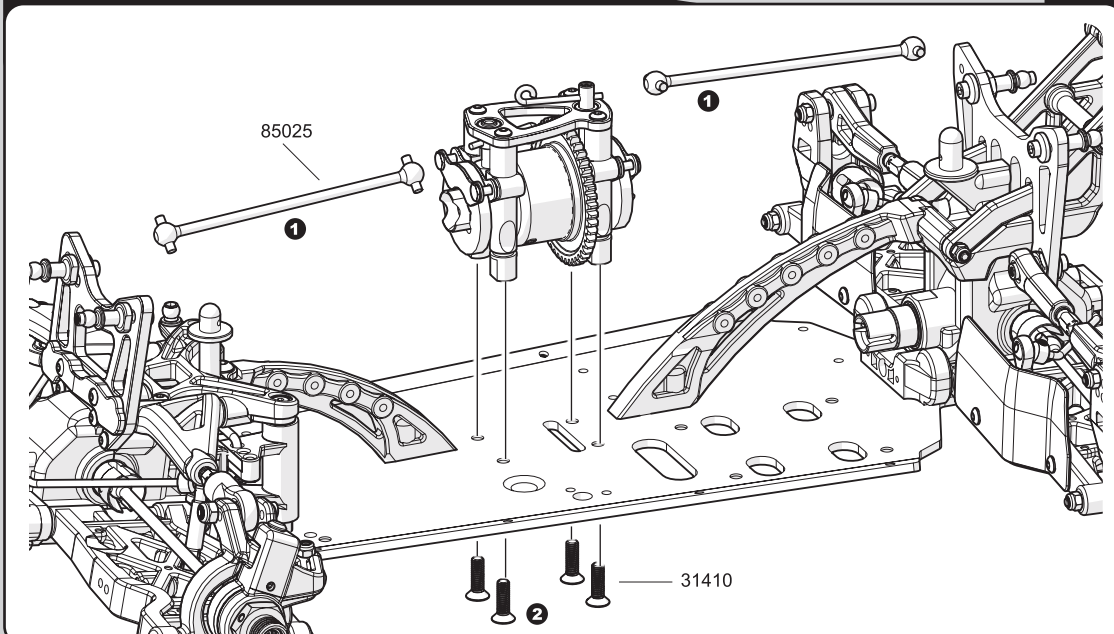


30




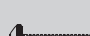
-  31410
4x10mm x4
F/H Screw

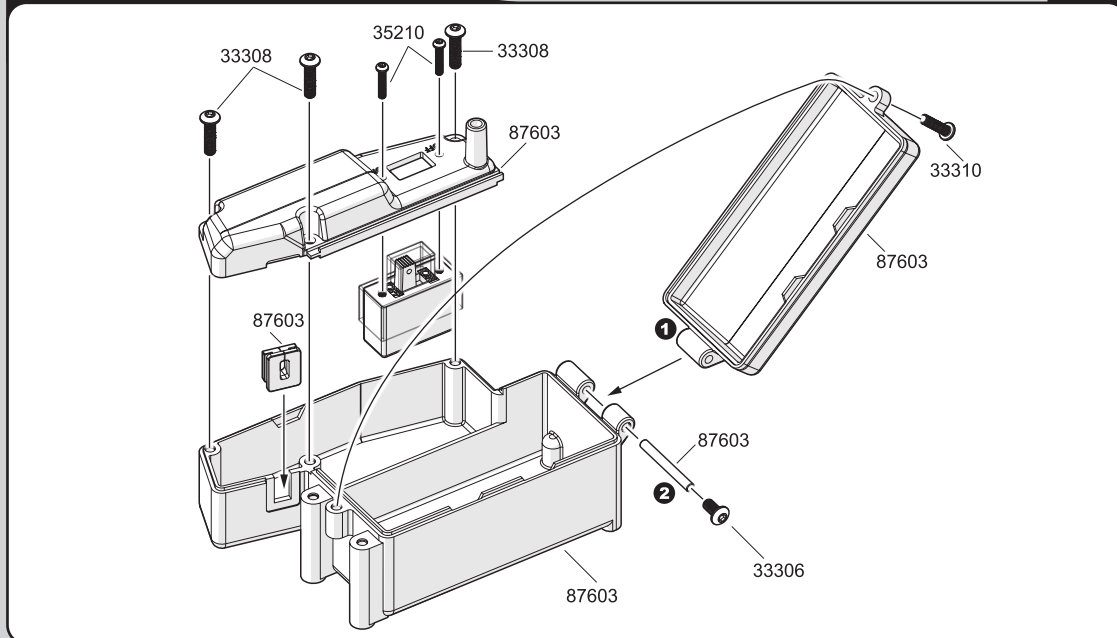
Center Differential Unit Assembly


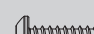
GP

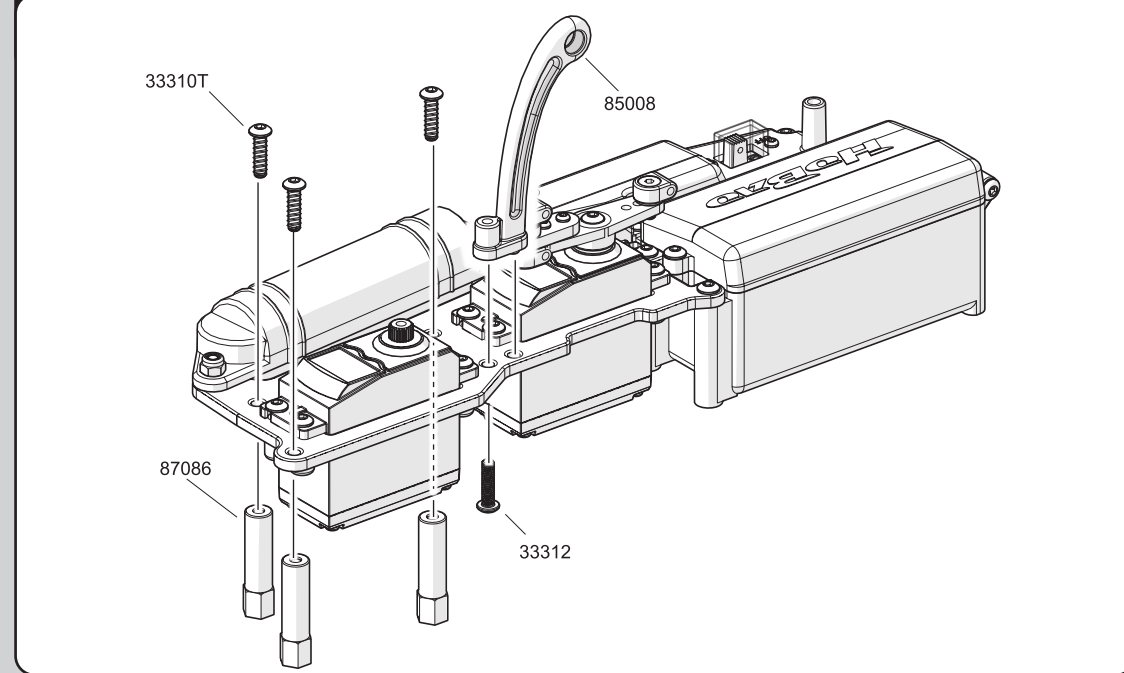



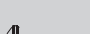


31**Battery Box Assembly****GP**

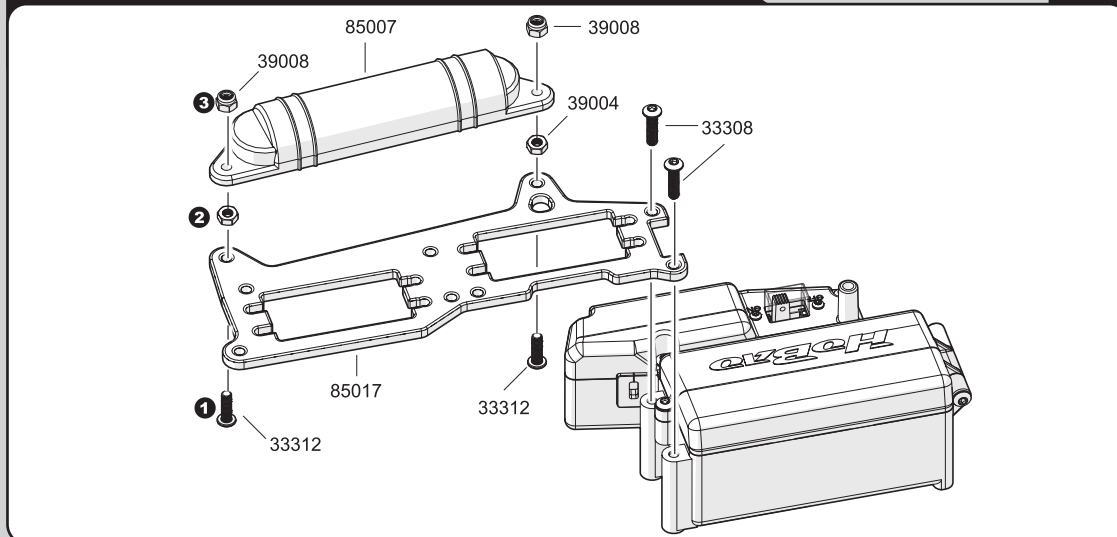
-  35210
2x10mm x2
B/H Screw
-  33306
3x6mm x1
B/H Screw
-  33308
3x8mm x3
B/H Screw
-  33310
3x10mm x1
B/H Screw


**34****Air Filter Holder And Radio Tray Post Assembly****GP**

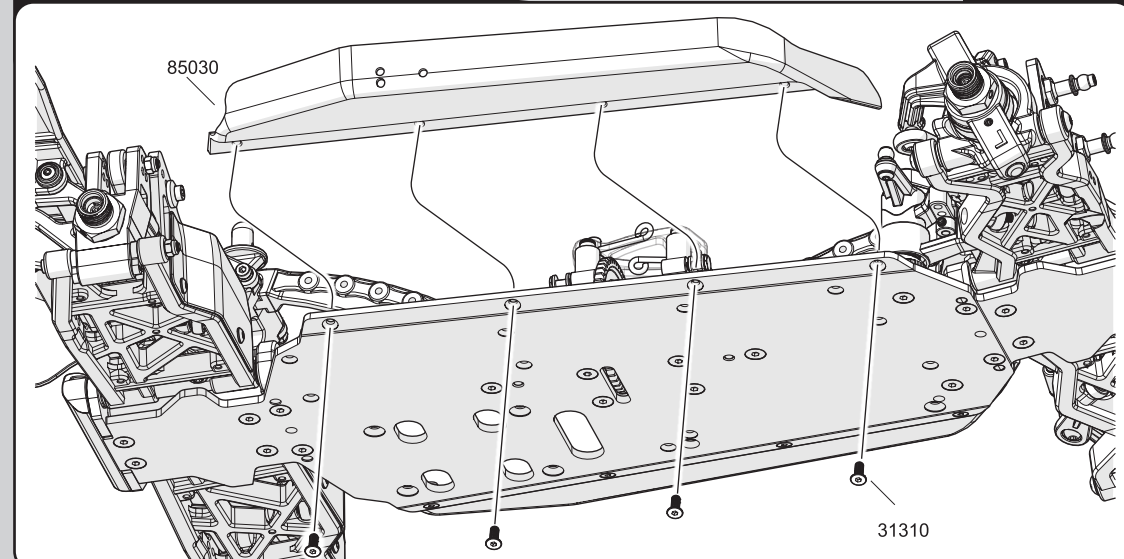
-  33312
3x12mm x1
B/H Screw
-  33310T
3x10mm x3
B/H Tap Screw



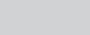
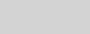
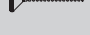
**32****Radio Tray And Battery Cover Assembly****GP**

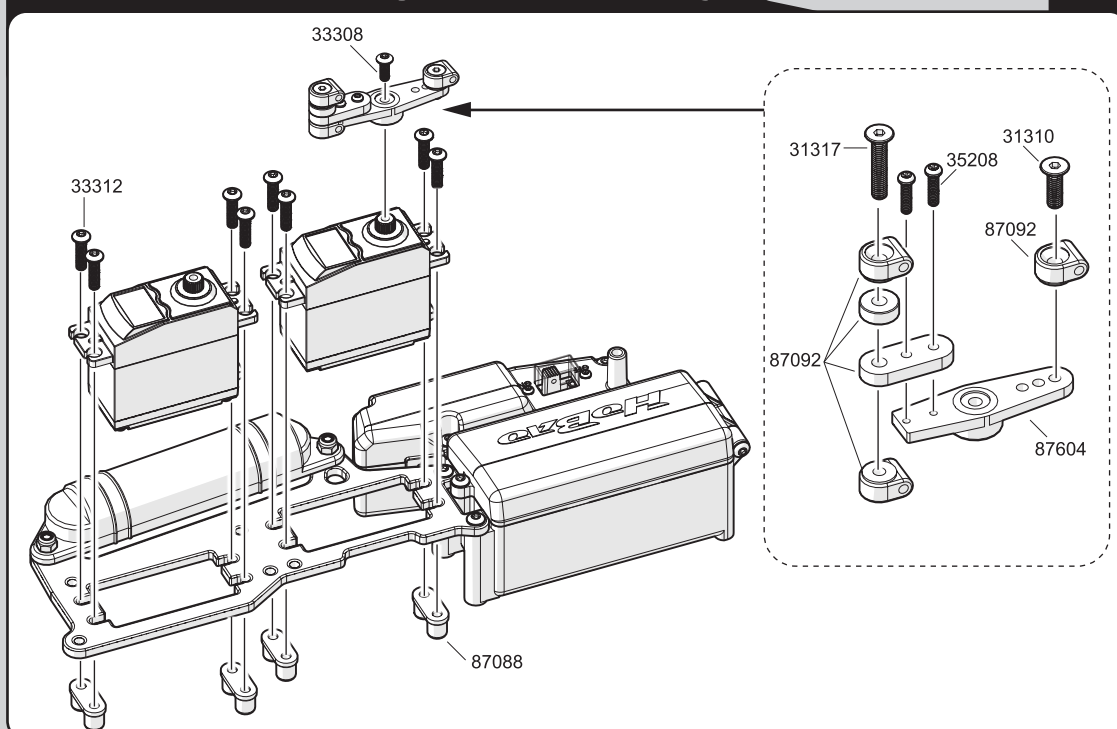
-  33308
3x8mm x5
B/H Screw
-  33312
3x12mm x2
B/H Screw
-  39008
M3 Nylon Nut x2
-  39004
M3 Nut x2


**35****Side Guard Assembly****GP & EP**

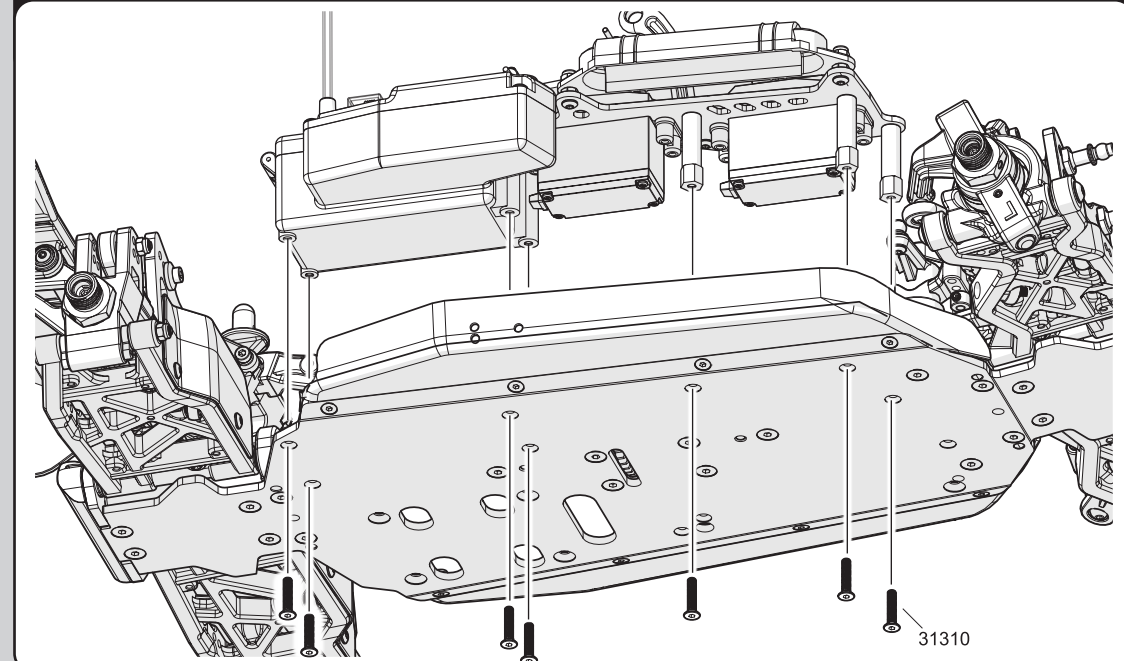
-  31310
3x10mm x8
F/H Screw

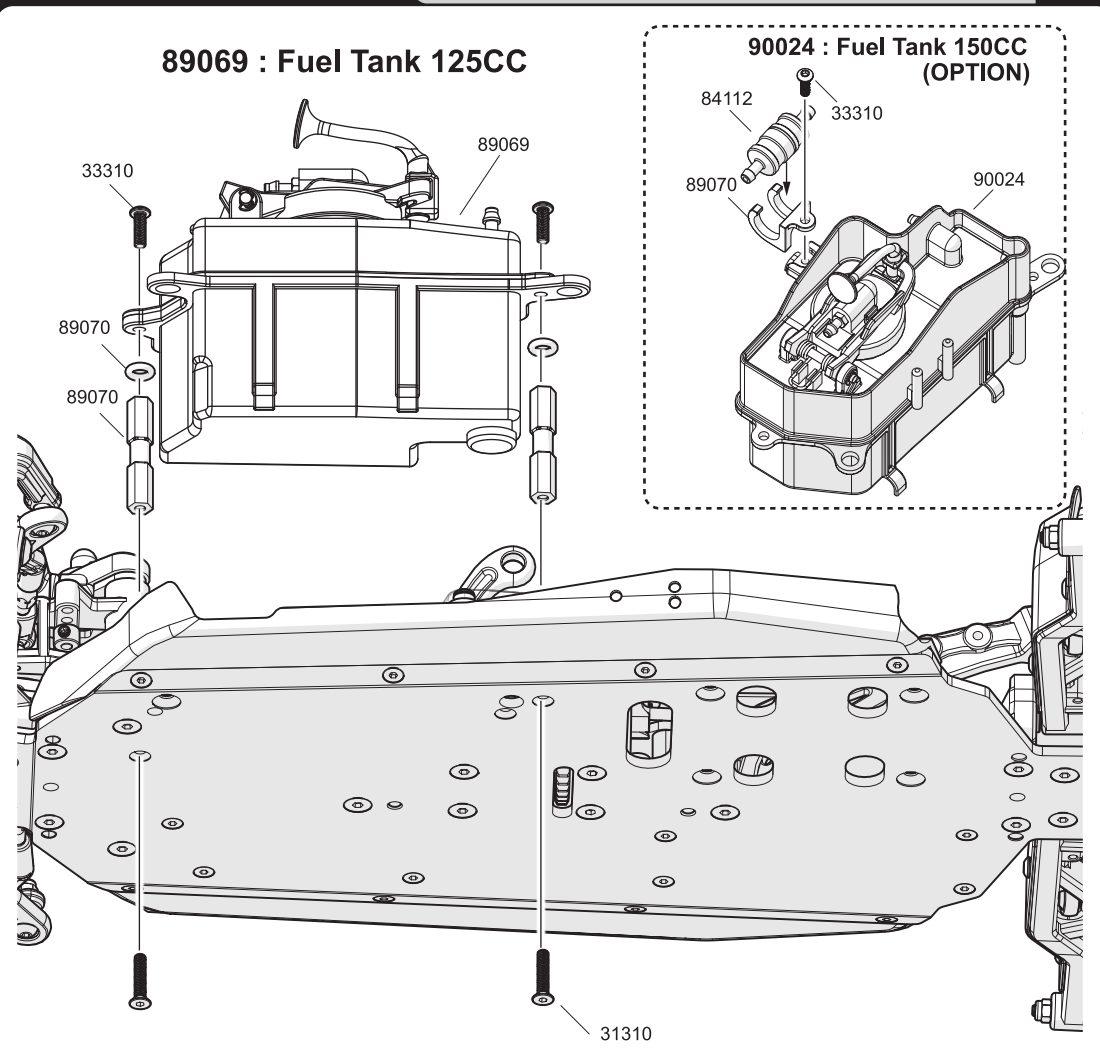
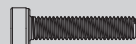
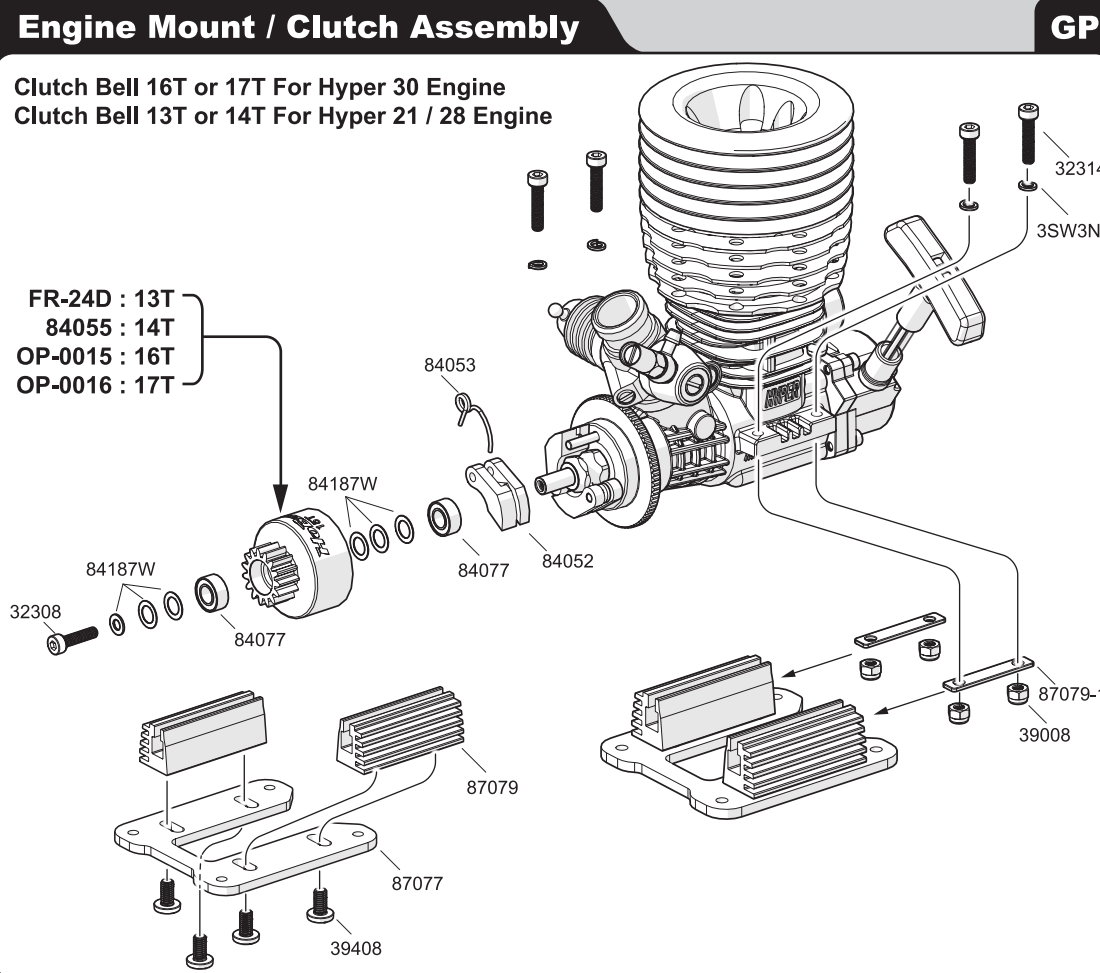
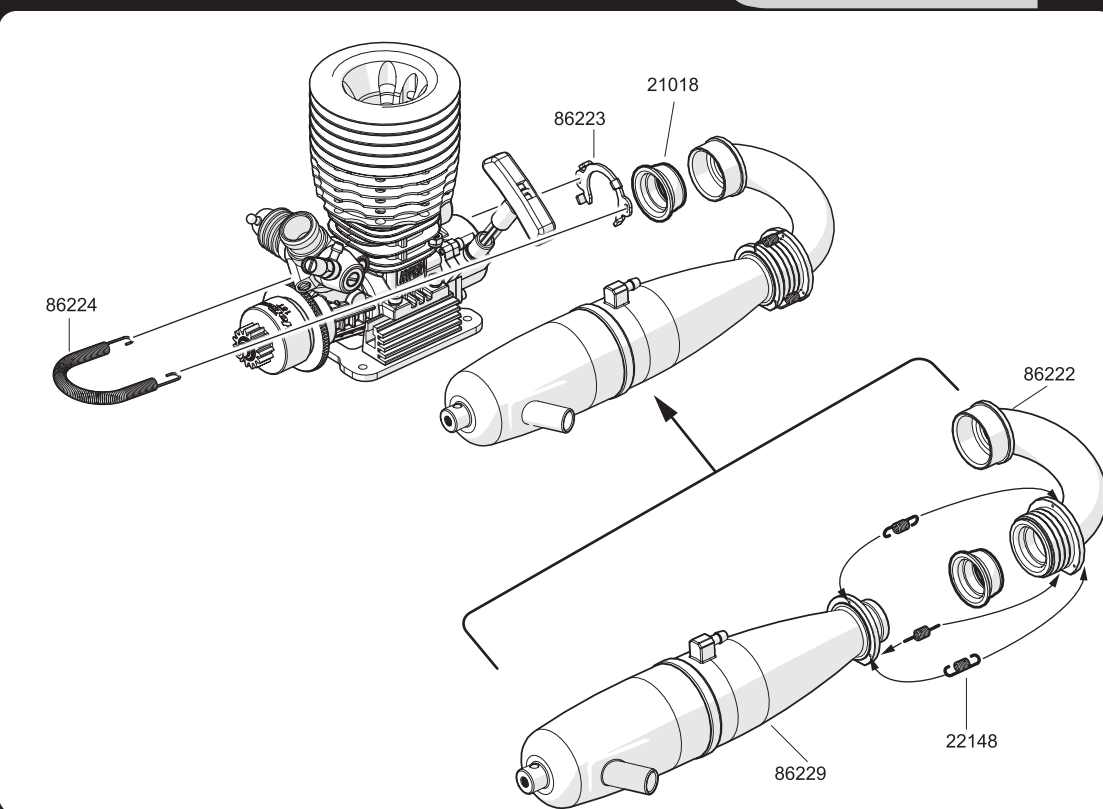
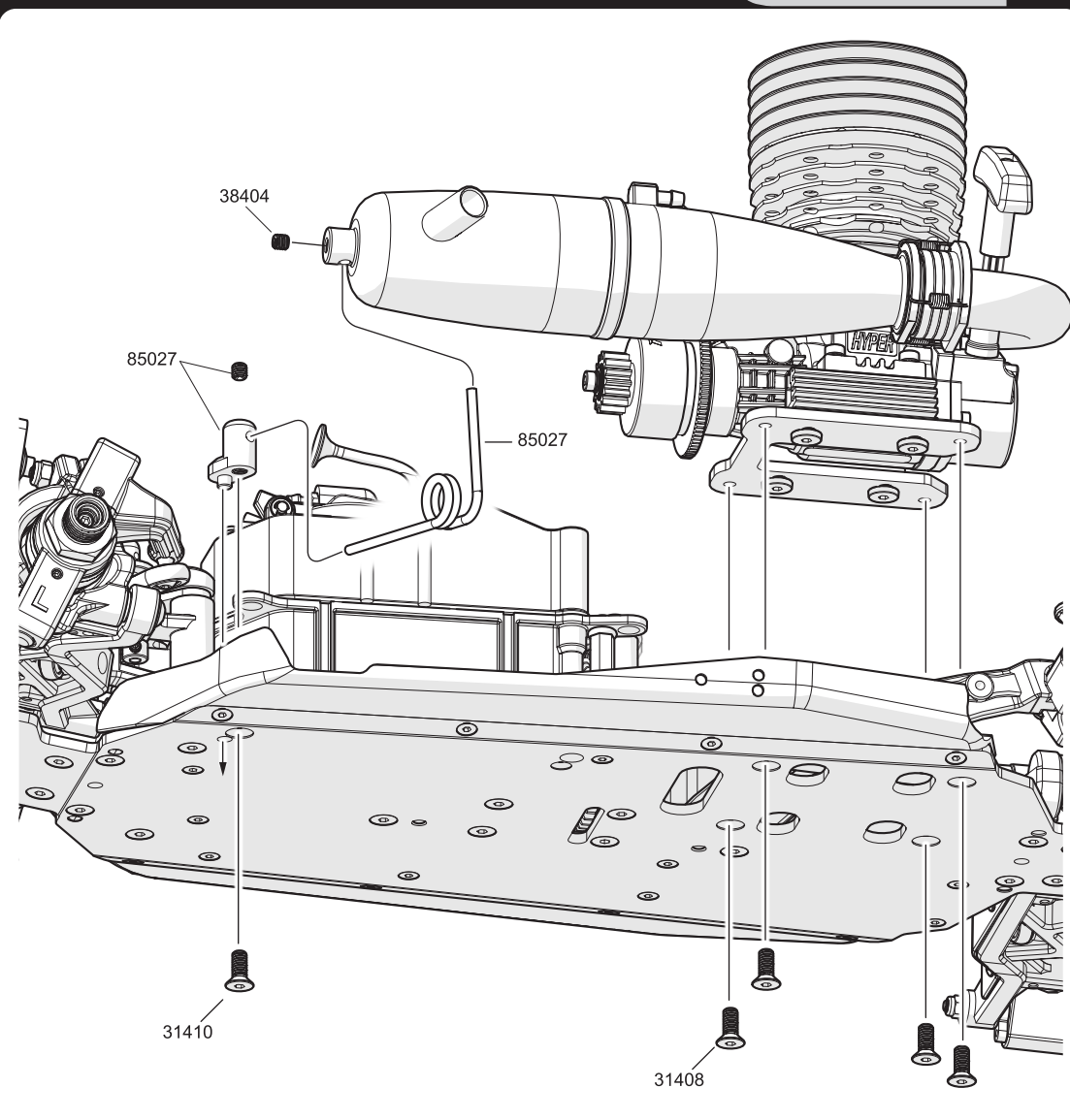
**33****Servo Horn / Mounting Holder Assembly****GP**

-  35208
2x8mm x2
B/H Screw
-  33308
3x8mm x1
B/H Screw
-  33312
3x12mm x8
B/H Screw
-  31310
3x10mm x1
F/H Screw
-  31317
3x17mm x1
F/H Screw

**36****Radio Tray Unit Assembly****GP**

-  31310
3x10mm x7
F/H Screw



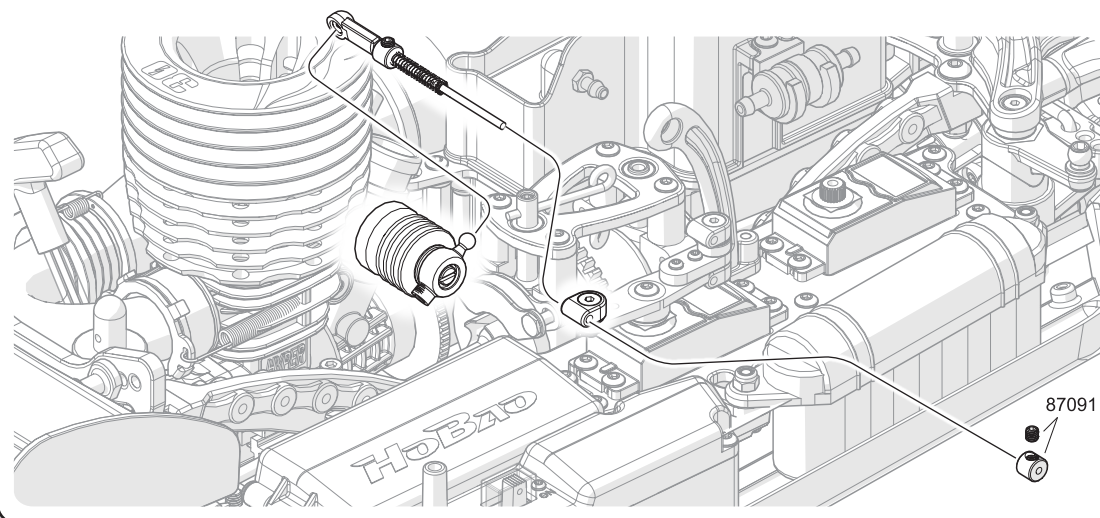
37**Fuel Tank Assembly****GP**89070
4x8mm x2
O-Ring33310
3x10mm x2
B/H Screw31310
3x10mm x2
F/H Screw**38****Engine Mount / Clutch Assembly****GP**32308
3x8mm x1
Cap Screw32314
3x14mm x4
Cap Screw39408
4x8mm x4
Engine Screw84187W
3.1x6x0.5mm
Washer84187W
5.1x8x0.25mm
Washer39008
M3 Nut x484077
5x10x4mm x2
Ball Bearing**39****In-Line Muffler And Manifold Assembly****GP****40**31408
4x8mm x4
F/H Screw31410
4x10mm x1
F/H Screw38404
4x4mm x2
Set Screw**Engine Unit / Exhaust System Assembly****GP**

41

Throttle Link Assembly

GP

38303
3x3mm x2
Set Screw



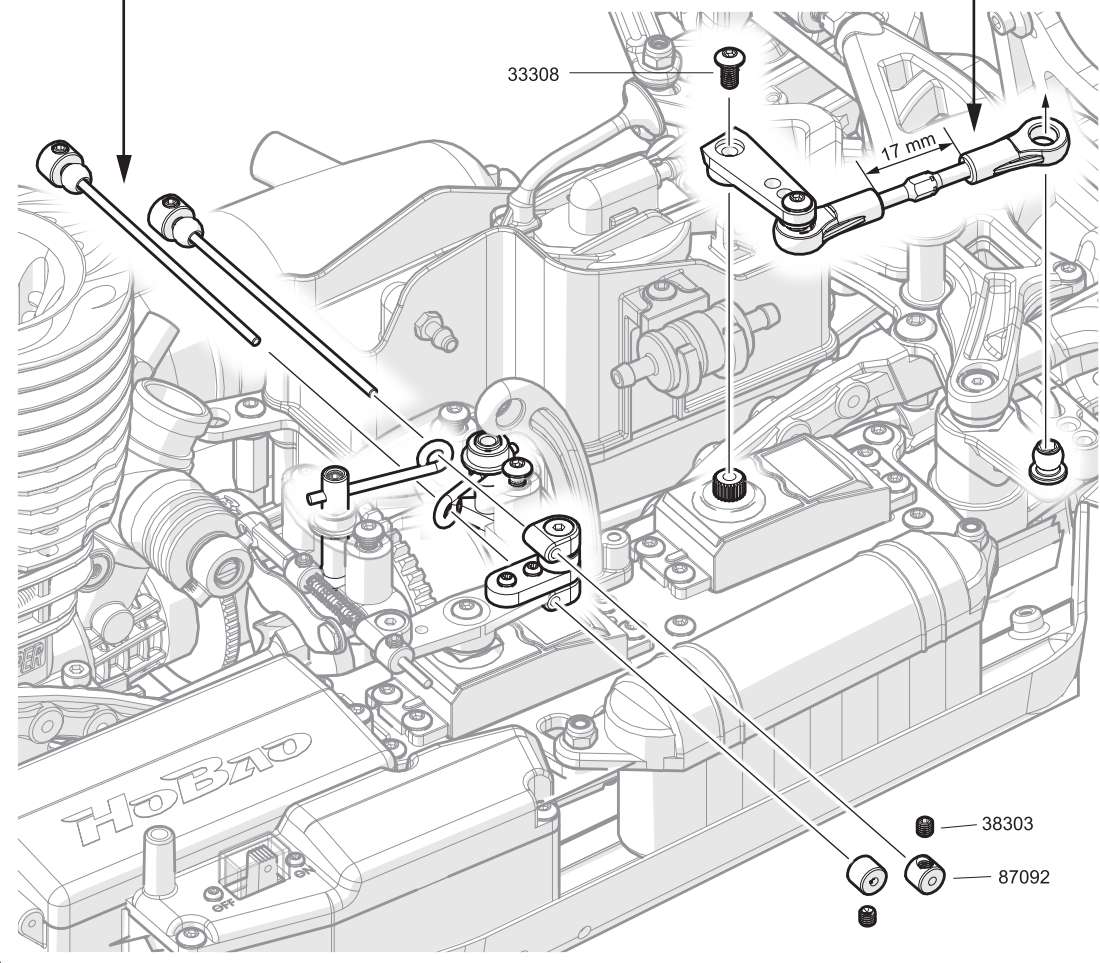
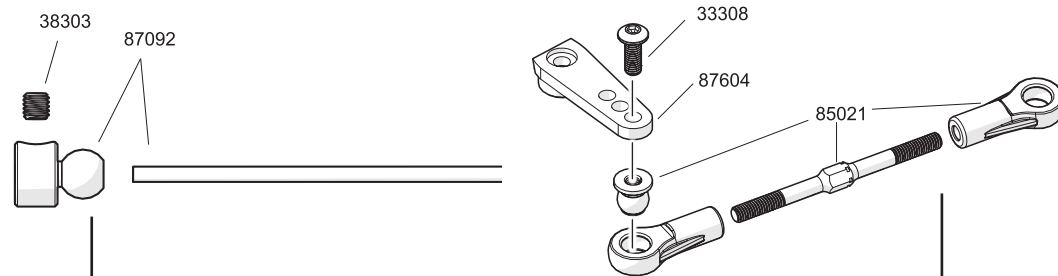
42

Steering / Brake Link Assembly

GP

33308
3x8mm x2
B/H Screw

38303
3x3mm x4
Set Screw



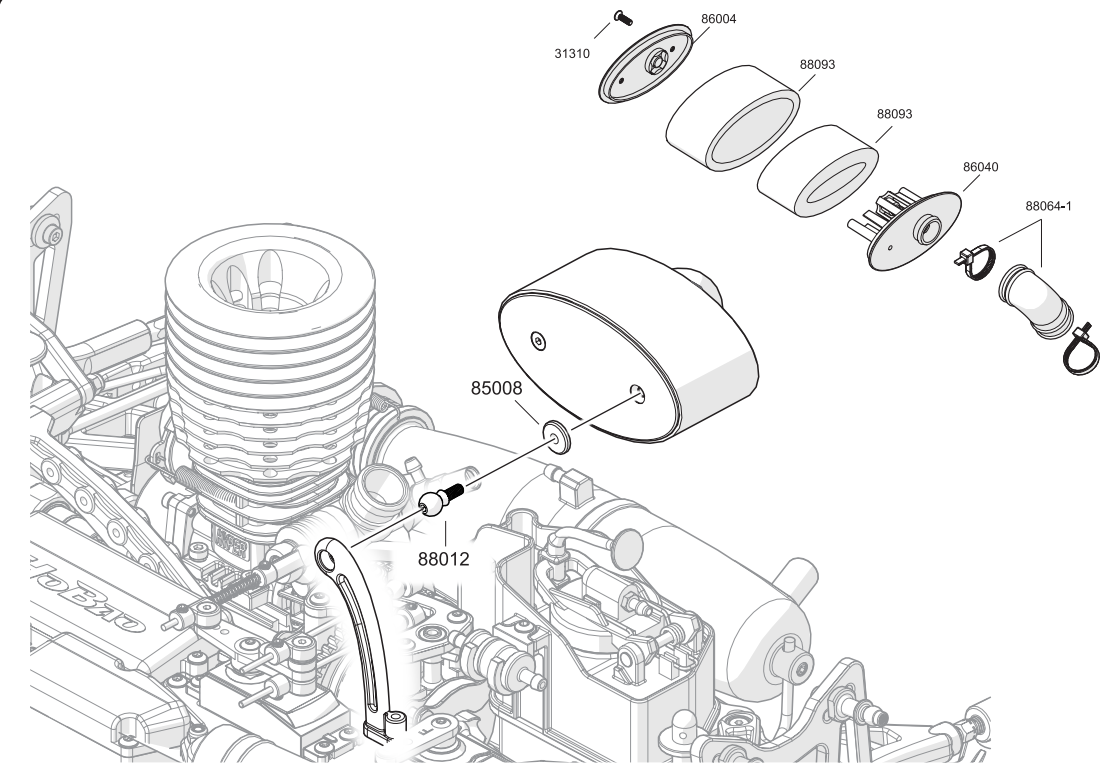
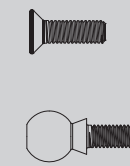
43

Air Filter And Holder Assembly

GP

31310
3x10mm x1
F/H Screw

88012
6.8mm x1



44

Front / Rear Shock Absorber Assembly

GP & EP

90030
M2.6 Nut x4

90030
3.1x7x0.25mm x4
Washer

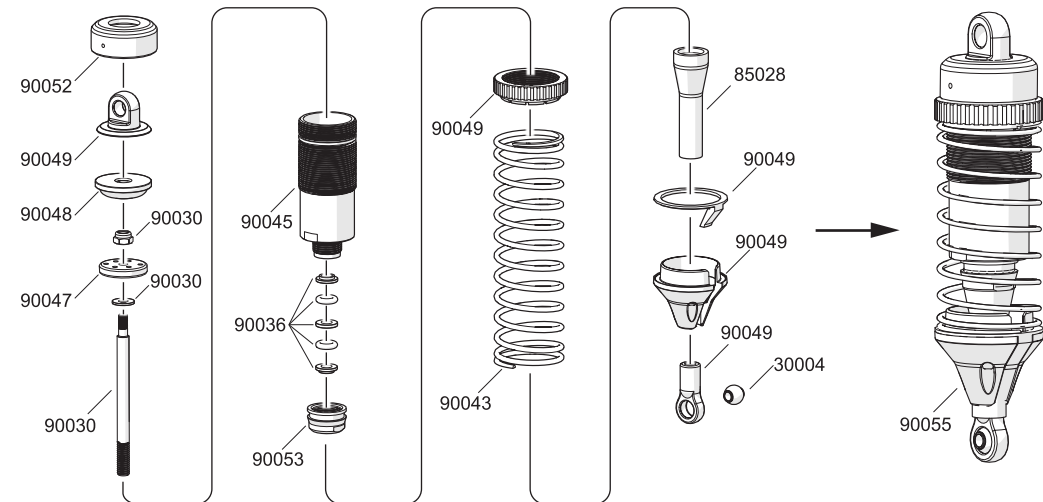
90036
O-ring Shield

90036
4x8mm x8
O-Ring

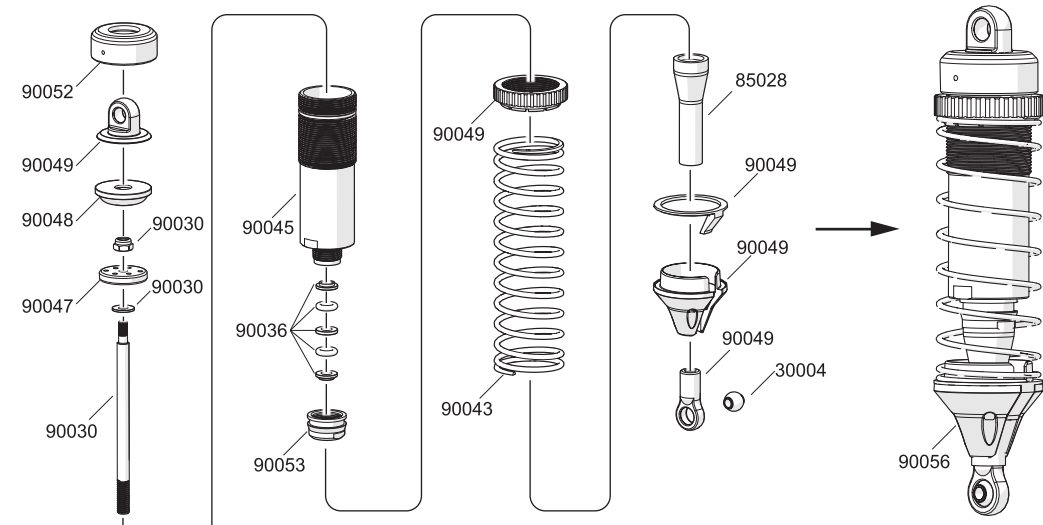
90036
4.05x7.98x1.2mm x4
Washer

30004
6.8mm x4
Ball

Front



Rear



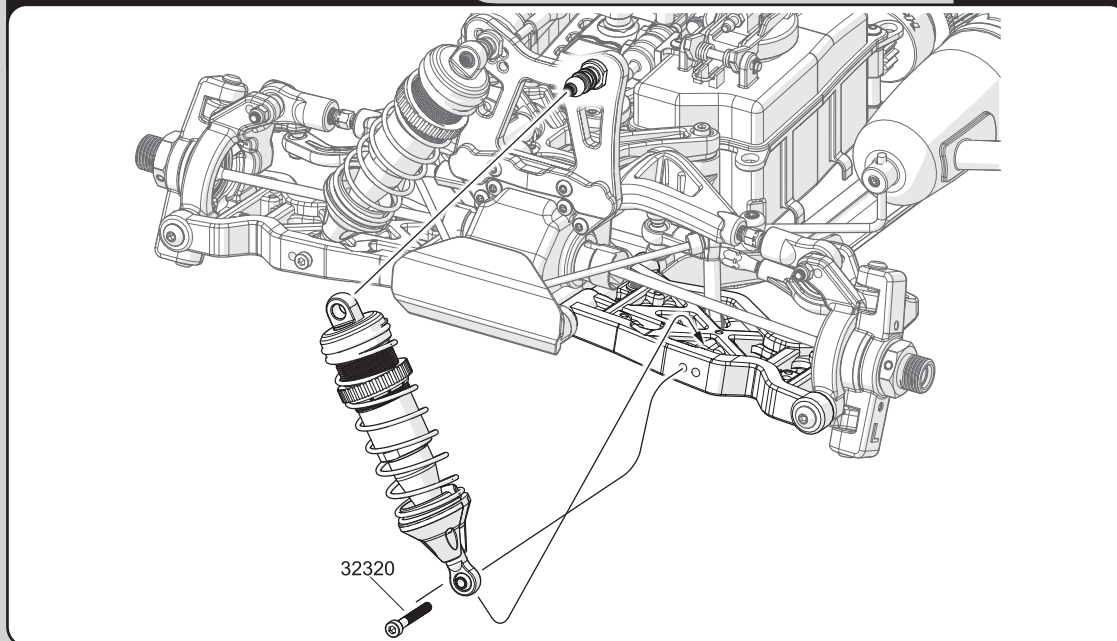
45

Front Shock Assembly

GP & EP



32320
3x20mm x4
Cap Screw



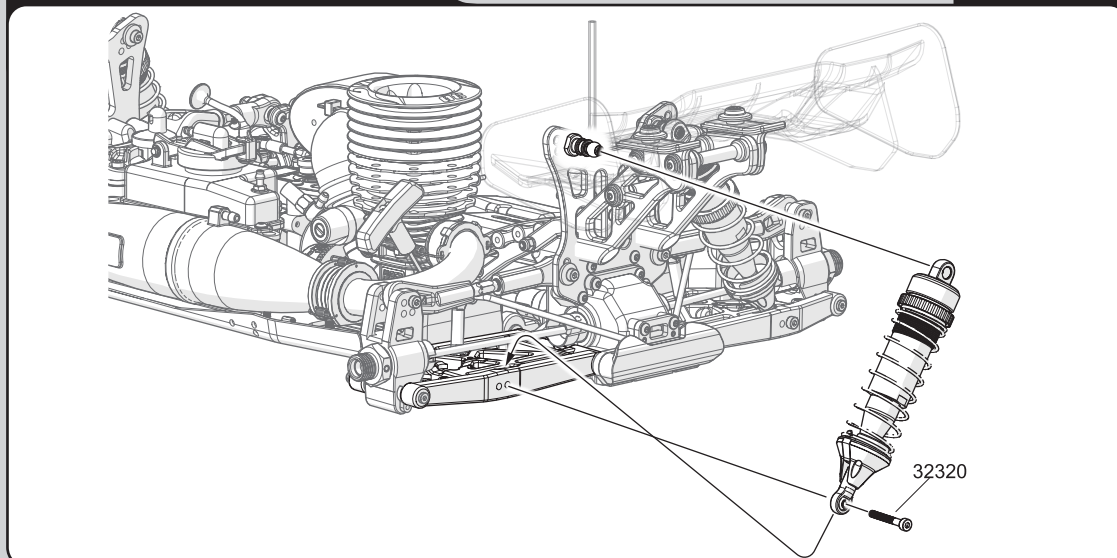
46

Rear Shock Assembly

GP & EP



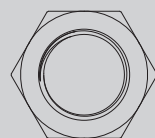
32320
3x20mm x4
Cap Screw



47

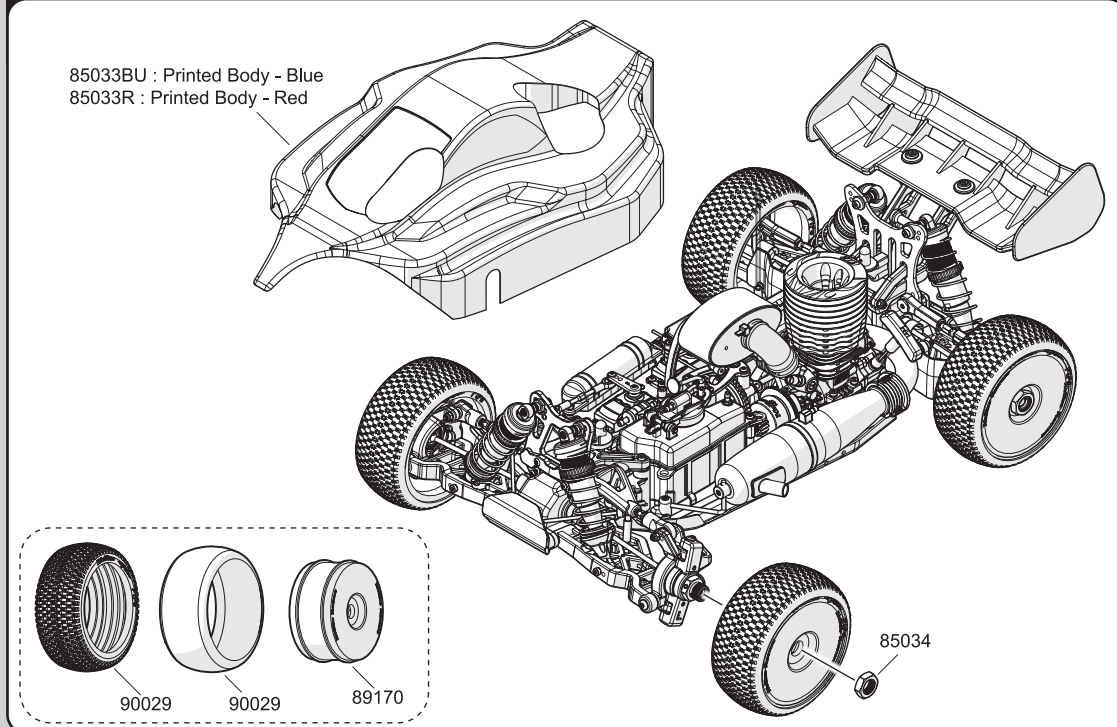
Rear Shock Assembly

GP & EP



85034
Wheel Hex Nut x4

85033BU : Printed Body - Blue
85033R : Printed Body - Red



HYPERVSE ELECTRIC ASSEMBLY

01



33310
3x10mm x4
B/H Screw



32312
3x12mm x4
Cap Screw



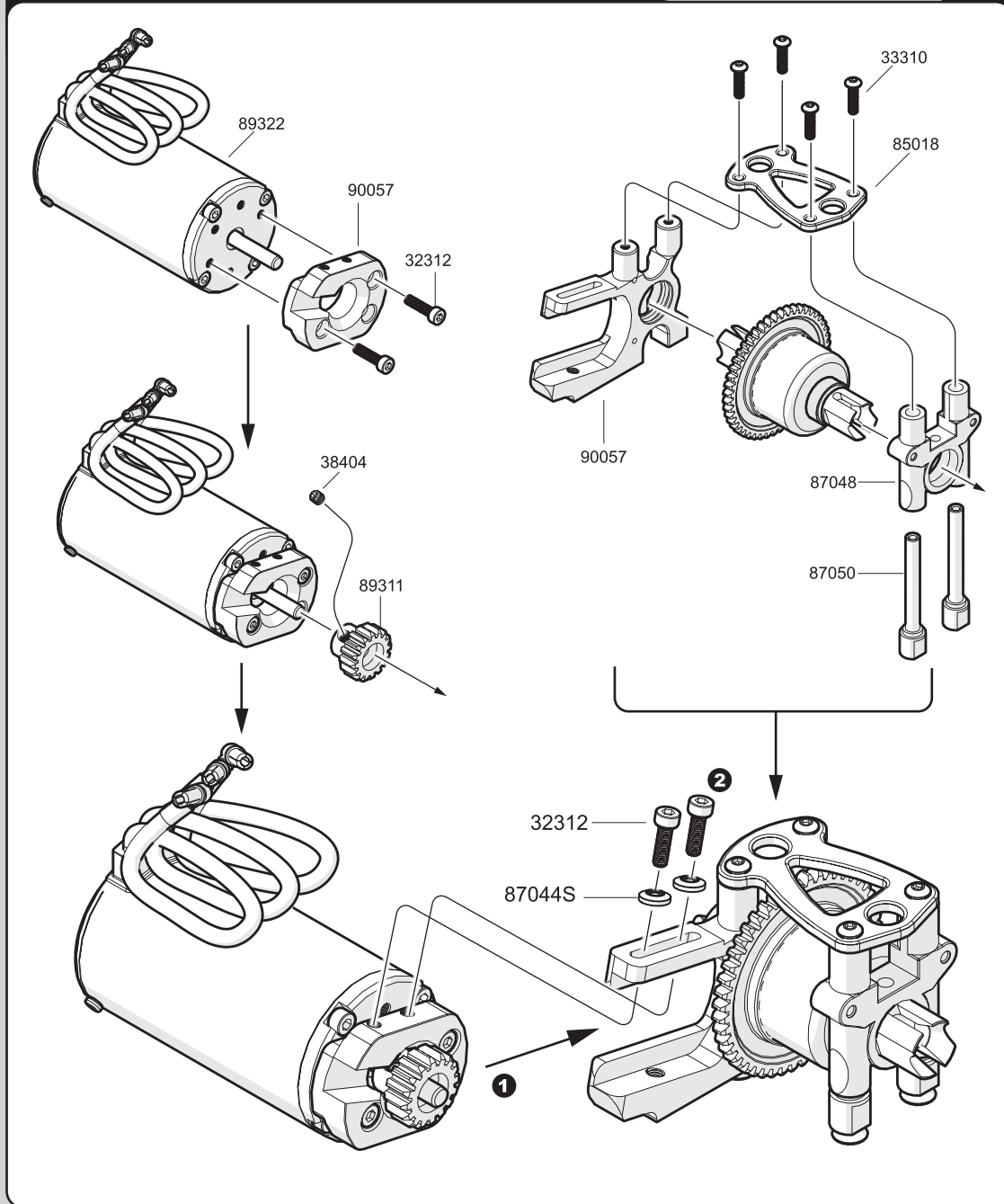
38404
4x4mm x1
Set Screw



87044S
Alum Collar x2

Center Differential / Motor Assembly

EP



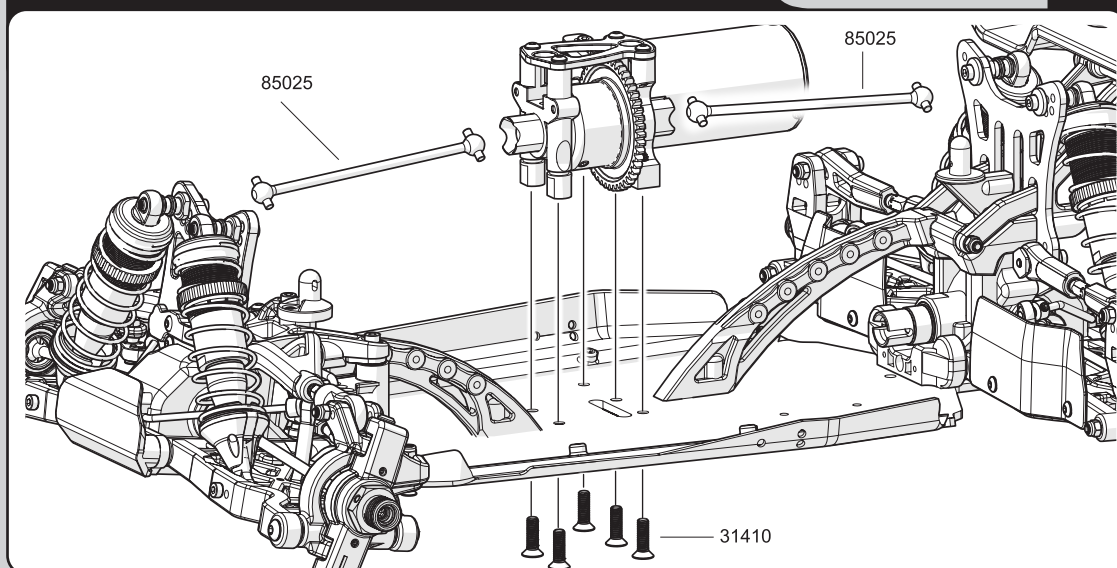
02



31410
4x10mm x5
F/H Screw

Center Drivetrain & Motor Unit Assembly





EP

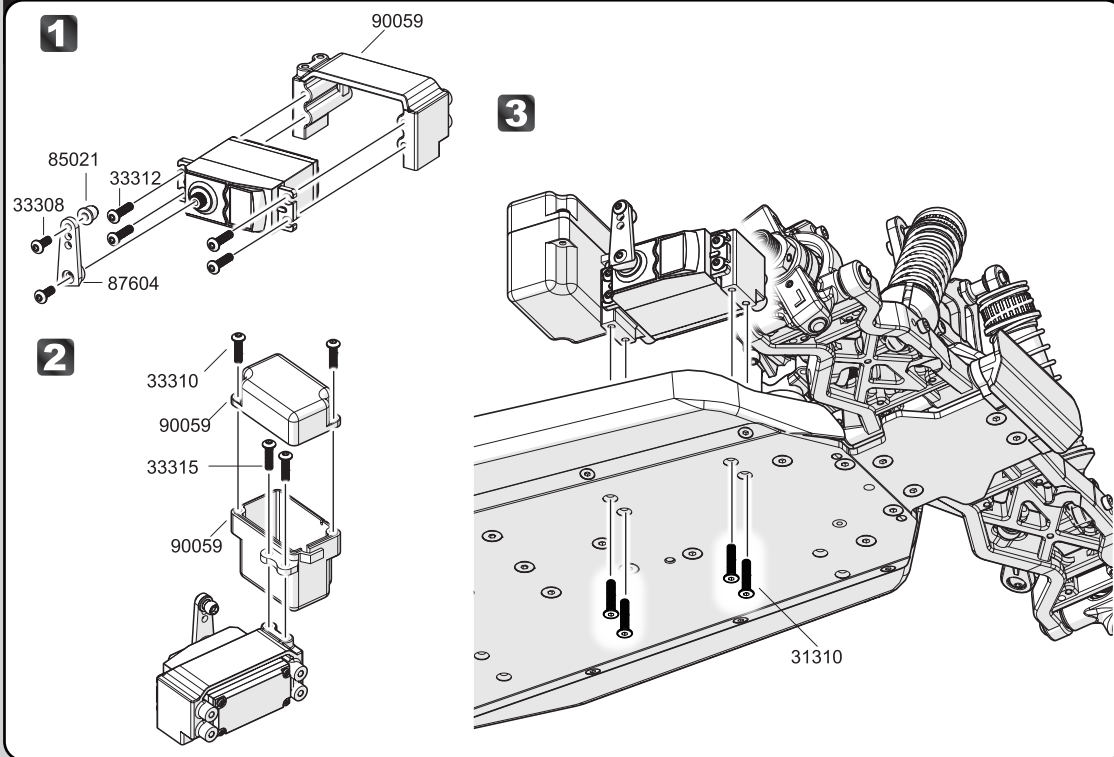


03

Receive Box & Steering Servo Assembly

EP


-  33308
3x8mm x2
B/H Screw
-  33312
3x12mm x4
B/H Screw
-  33310
3x10mm x2
B/H Screw
-  33315
3x15mm x2
B/H Screw

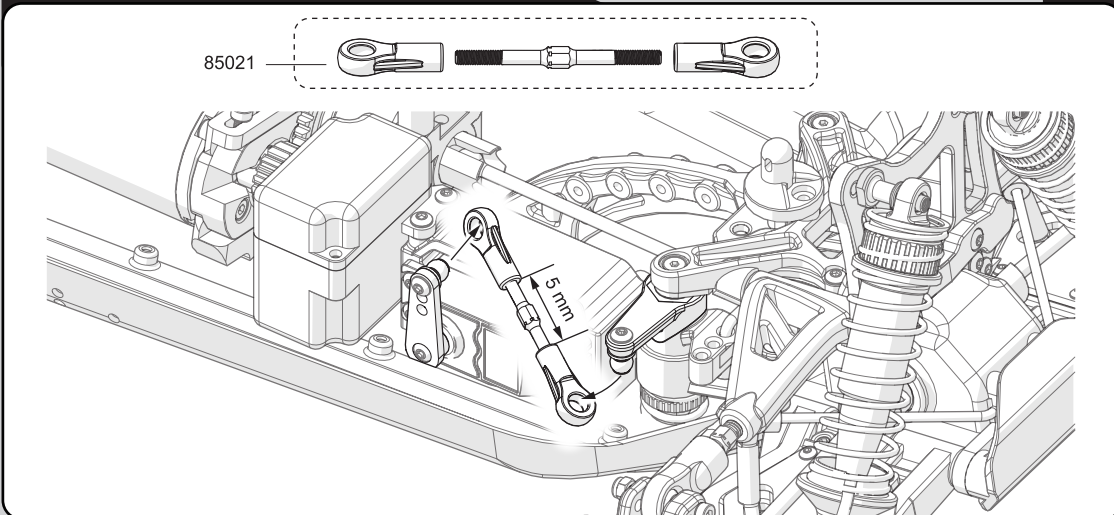


04

Steering Servo Link Assembly

EP


-  31310
3x10mm x4
F/H Screw

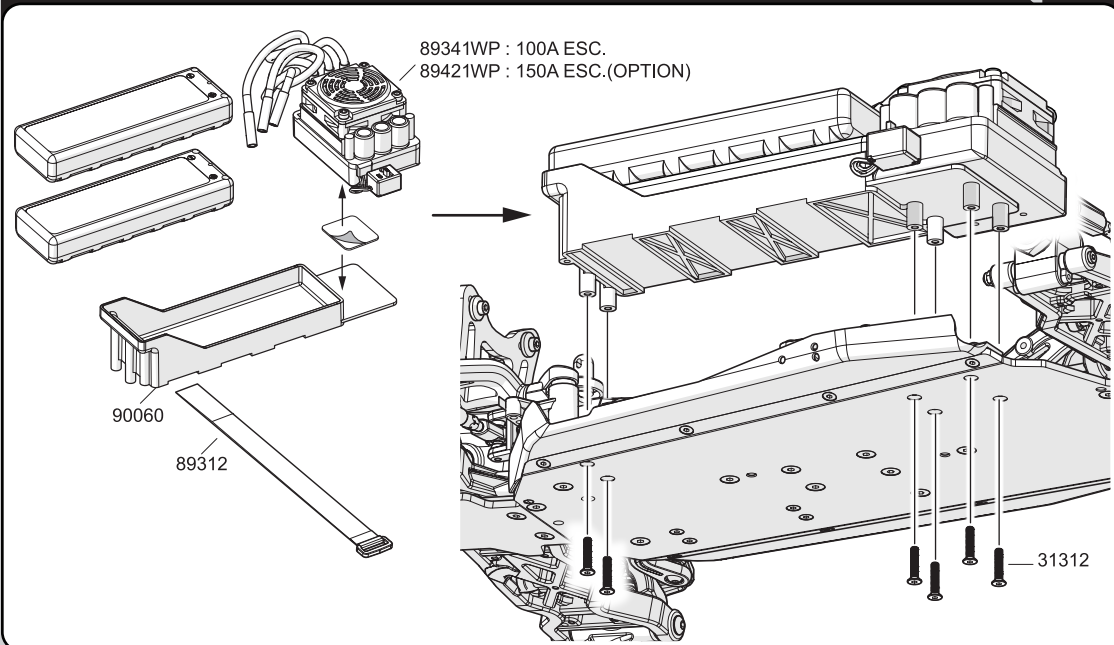


05


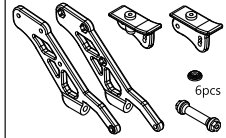
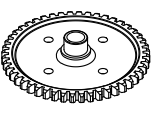
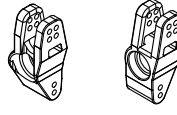

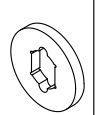
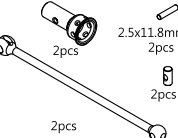
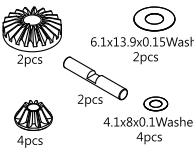
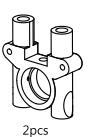

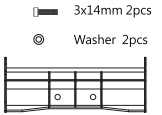
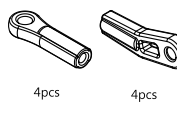
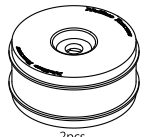
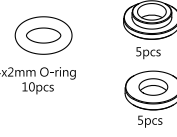
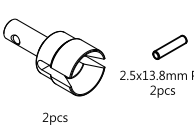
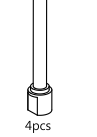

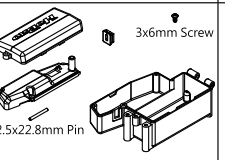

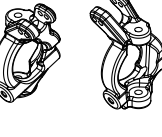

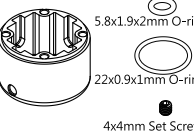
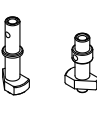

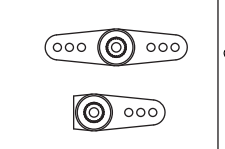
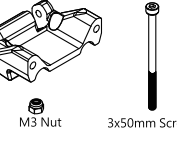
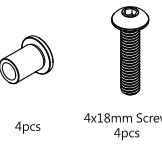
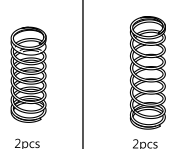
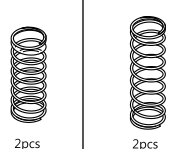


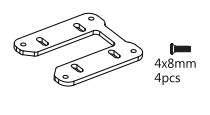
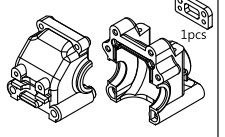
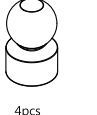
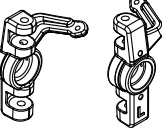
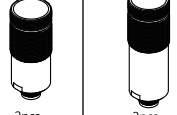
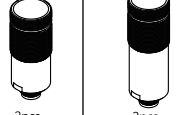
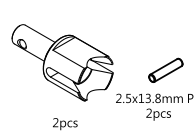
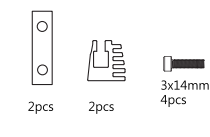
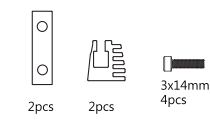

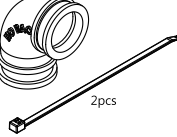
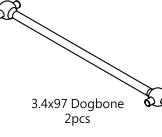
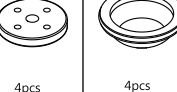
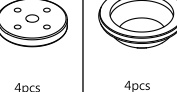
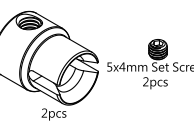
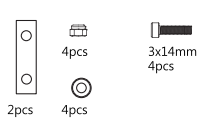
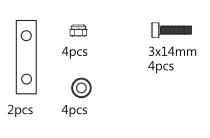
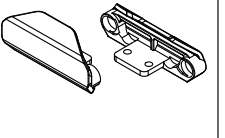
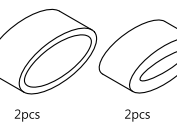
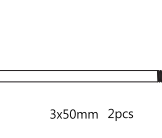
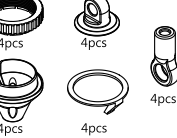

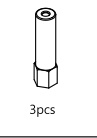

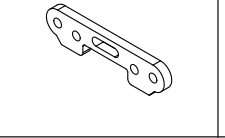
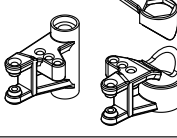
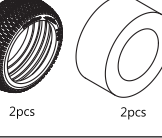
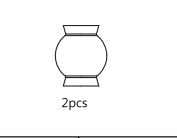
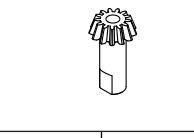
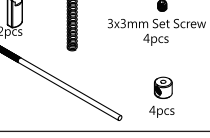
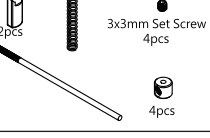
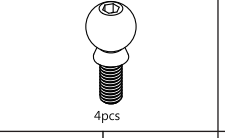
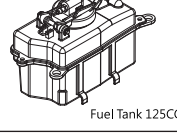
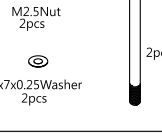
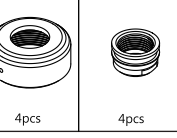
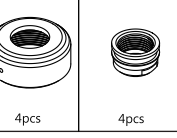
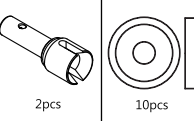
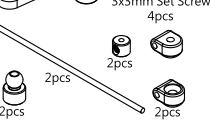
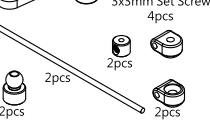
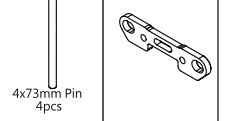
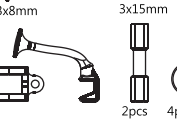
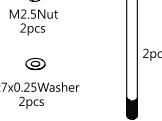
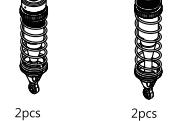
Electric Speed Controller / Battery Tray Unit Assembly

EP

-  31312
3x12mm x6
F/H Screw



NITRO STANDARD PARTS LIST

87001  3x10mm 4pcs	87046  6pcs 3pcs	87338 	88029 	89107  4pcs	89143  2pcs	90035  2.5x11.8mm Pin 2pcs 2.5x11.8mm Nut 2pcs	
87002  2pcs 4pcs	87048  2pcs	87049  4pcs	87562  3x14mm 2pcs Washer 2pcs	88030  4pcs	89170  2pcs	90036  4x2mm O-ring 10pcs 5pcs 5pcs	
87003  2pcs	87050  4pcs	87051-1  4pcs	87603  2.5x22.8mm Pin 3x6mm Screw	88031  4pcs	90004  4pcs	90038  3x8mm Set Screw 4pcs	
87004  5.8x1.9x2mm O-ring 22x0.9x1mm O-ring 4x4mm Set Screw	87054  3x3mm Set Screw 2pcs	87054  2pcs	87604  3x6mm Screw	88034  M3 Nut 3x50mm Screw	90005  4x18mm Screw 4pcs	90043  2pcs	90044  2pcs
87005-1  6.1x13.9x0.3 Washer 2pcs	87005-2  6.1x13.9x0.15 Washer 2pcs	87077  4x8mm 4pcs	88001  1pc	88039  4pcs	90006  4pcs	90045  2pcs	90046  2pcs
87006  2.5x13.8mm Pin 2pcs	87079  2pcs 2pcs 3x14mm 4pcs	87079  2pcs 2pcs 3x14mm 4pcs	88002  4x47mm Screw 4pcs	88064-1  2pcs	90010  3.4x97 Dogbone 2pcs	90047  4pcs	90048  4pcs
87021  5x4mm Set Screw 2pcs	87079-1  2pcs 4pcs 3x14mm 4pcs	87079-1  2pcs 4pcs 3x14mm 4pcs	88003  1pc	88093  2pcs 2pcs	90028  3x50mm 2pcs	90049  4pcs 4pcs 4pcs	
87027-1  2.5x16.8mm Pin 4pcs	87086  3pcs	87088  4pcs	88004  1pc	89037  2pcs	90029  2pcs	90050  2pcs	
87028  2pcs	87091  2pcs 3x3mm Set Screw 4pcs 4pcs	87091  2pcs 3x3mm Set Screw 4pcs 4pcs	88012  4pcs	89069  Fuel Tank 125CC	90030  M2.5Nut 2pcs 3.1x7x0.25Washer 2pcs	90052  4pcs	90053  4pcs
87037  2pcs	87044S  10pcs	87092  2pcs 3x3mm Set Screw 4pcs 2pcs 2pcs	88013  4x73mm Pin 4pcs	88026  3x8mm 3x15mm 2pcs 4pcs	90031  M2.5Nut 2pcs 3.1x7x0.25Washer 2pcs	90054  2pcs 2pcs	